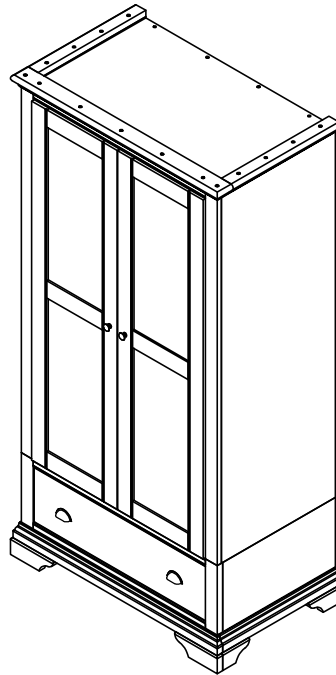


HAMPSTEAD DOUBLE WARDROBE

Stock number: 800X-82

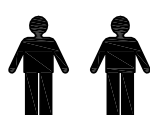
Thank you for purchasing this product. Please read the instructions carefully before use to ensure safe and satisfactory operation of this product.



Pre-assembly preparation

Please ensure instructions are read in full before attempting to assemble this product.

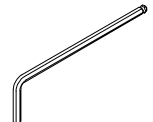
Necessary Tools



Pozi



(Included)



Please check the pack contents before attempting to assemble this product. A full checklist of components is given in this leaflet. If any components are missing, please contact the retailer from whom you bought this product.

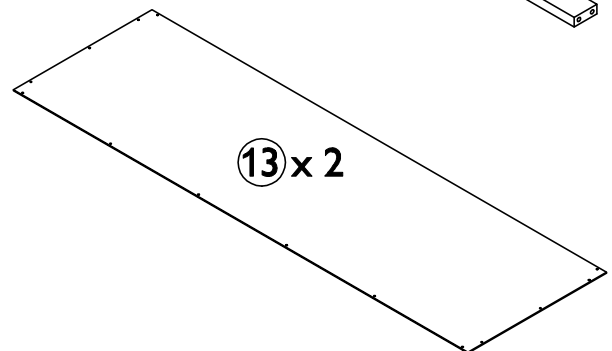
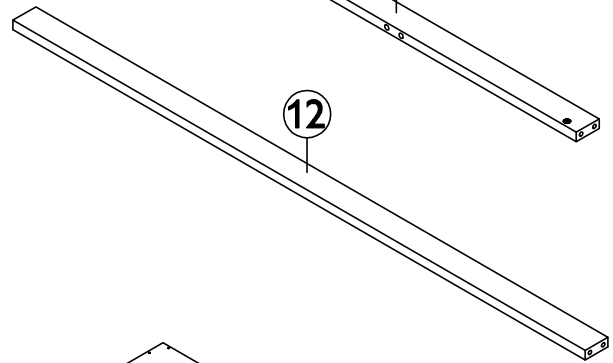
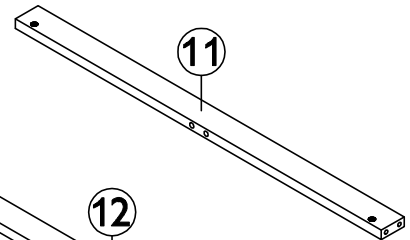
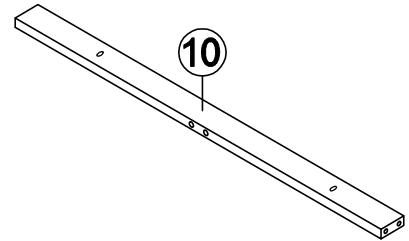
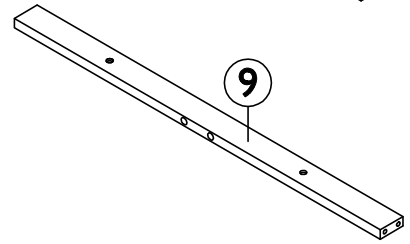
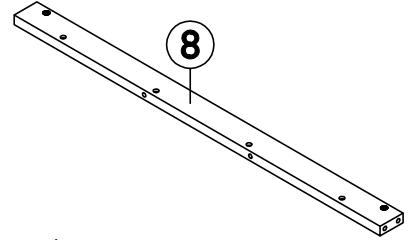
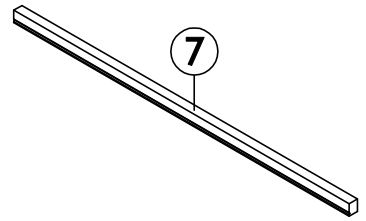
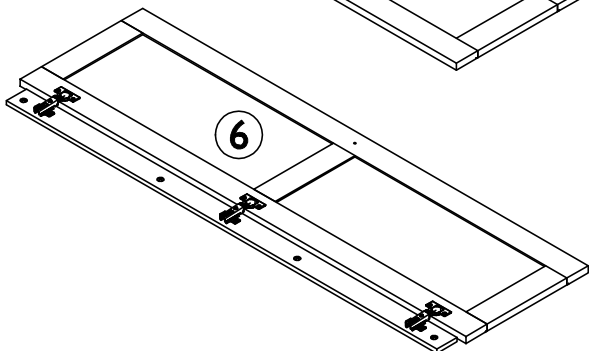
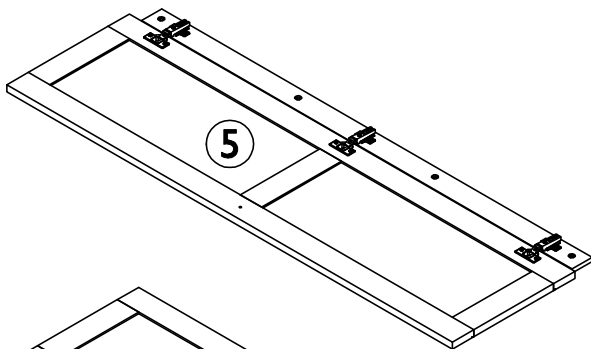
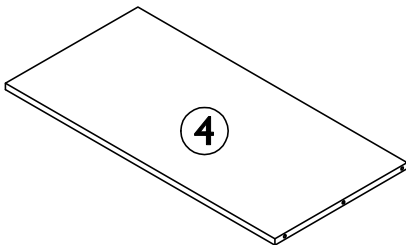
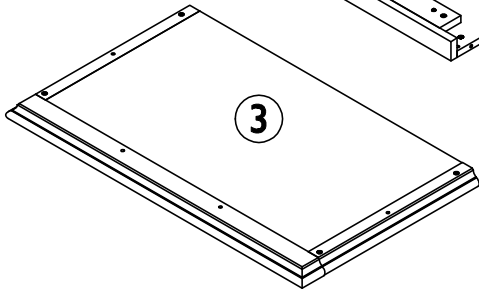
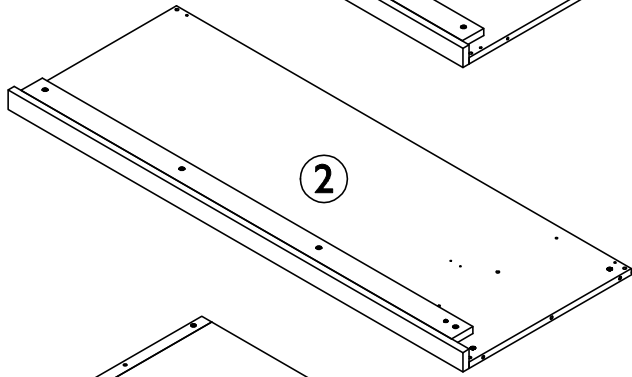
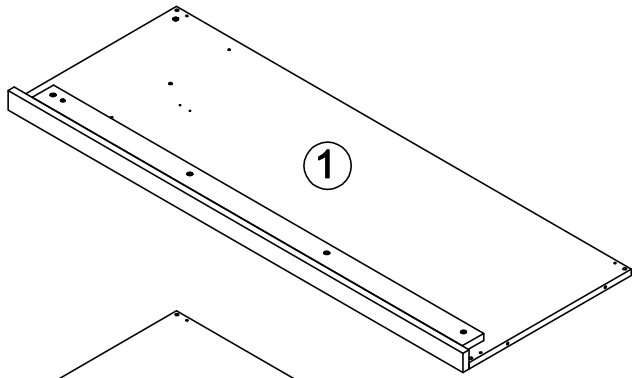
This product takes approximately **60 MINUTES** to assemble with **2 PEOPLE**.

All assembly should be performed on a flat, stable, clean and soft surface.

This product is **HEAVY**, it should be assembled as near as possible to the point of use. **TAKE CARE WHEN LIFTING** to avoid personal injury and (or) damage to the product

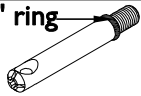


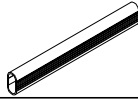
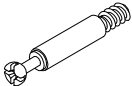
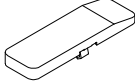

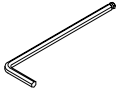
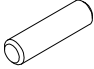


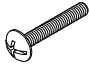


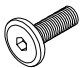
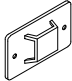
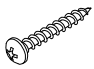

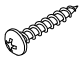

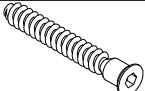
The fitting pack contains **SMALL ITEMS** which should be **KEPT AWAY FROM YOUNG CHILDREN**.

IMPORTANT: Retain these instructions for future reference.



13 x 2

Fittings and parts checklist Double Wardrobe Top

Item	Description	Qty.		Item	Description	Qty.
1	Left side panel	x 1		8	Top front rail	x 1
2	Right side panel	x 1		9	Bottom front rail	x 1
3	Top panel	x 1		10	Bottom back rail	x 1
4	Fixed shelf	x 1		11	Top back rail	x 1
5	Left door	x 1		12	Vertical rail	x 1
6	Right door	x 1		13	Back panel	x 2
7	Top rail	x 1				
A	Steel dowel	 x 4		M	Round head screw Ø4x15mm	 x 32
B	Grub screw	 x 4		N	Hanger rail	 x 1
C	Cam screw	 x 12		P	Hinge cover cap	 x 6
D	Cam lock	 x 12		Q	Allen key	 x 1
E	Dowel Ø8x30mm	 x 22		R	Handle	 x 2
F	Hanger rail support	 x 2		S	Round head bolt M4x30mm	 x 2
G	Varianta screw Ø4.2x10.5mm	 x 4		T	Flat washer Ø5x12x1mm	 x 4
H	Hex head bolt M6x20mm	 x 8		aa	Mounting plate	 x 2
J	Round head screw Ø4x30mm	 x 4		bb	Nylon strap	 x 1
K	Round head screw Ø4x25mm	 x 4		cc	Flat head screw Ø4x15mm	 x 2
L	Hex head bolt Ø7x38mm	 x 2				

Step By Step Assembly Instructions

Step

1

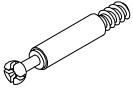
1.1 : Lay all parts on a flat, stable, clean and soft surface.

1.2 : Attach 6x cam screws (C) into the pre-drilled holes on left side panel (1) as shown. Use a screwdriver to turn fittings (C) clockwise to fix.

1.3 : Insert 1x dowels (E) into the pre-drilled hole on left side panel (1) as shown.

1.4 : Attach 1x hanger rail support (F) onto left side panel (1) using 2x varianta screws (G) as shown. Use a screwdriver to turn fittings (G) clockwise to fix.

Fitting



C x 6



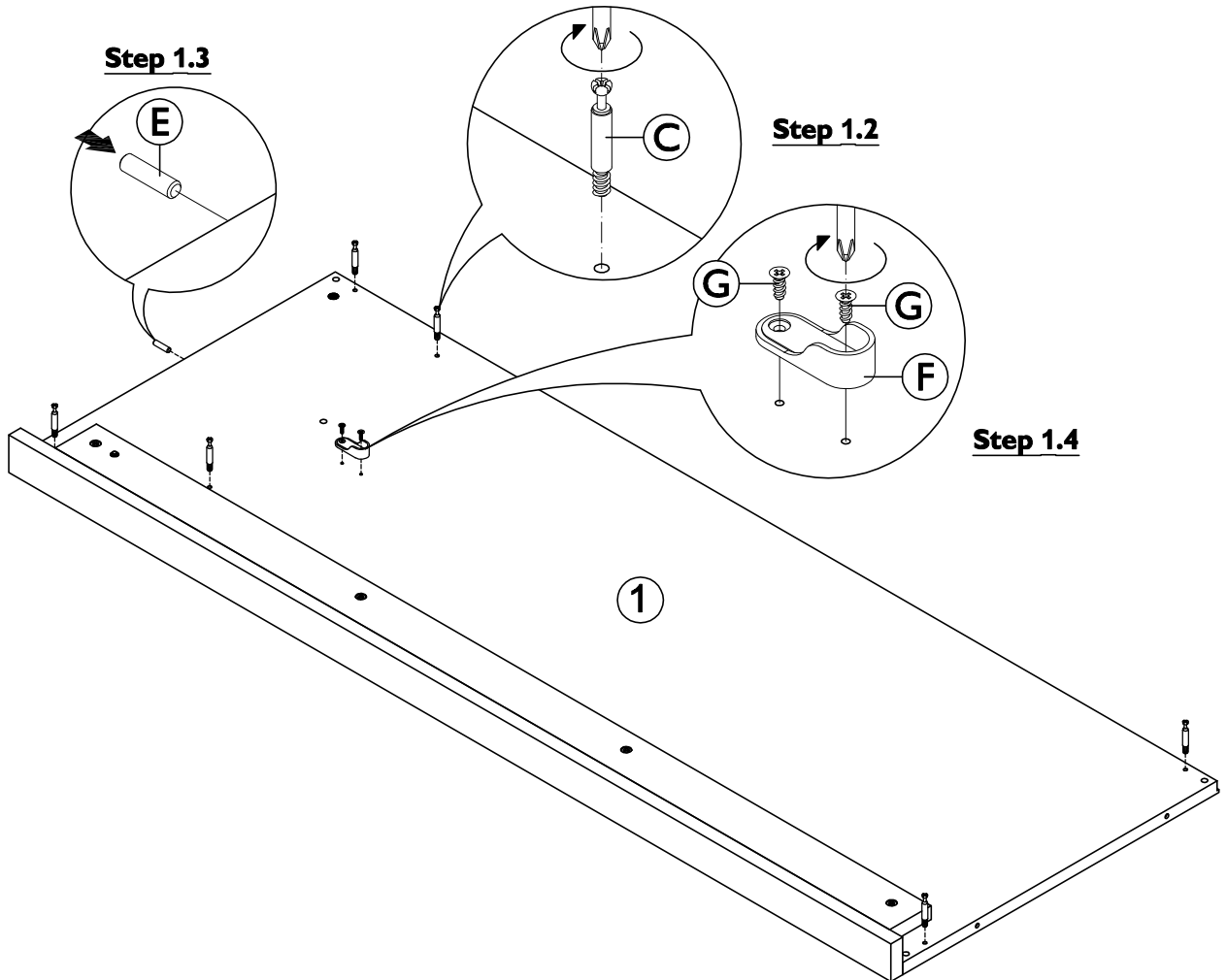
E x 1



F x 1



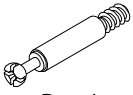
G x 2



Step By Step Assembly Instructions

- Step 2**
- 2.1 : Attach 6x cam screws (C) into the pre-drilled holes on right side panel (2) as shown. Use a screwdriver to turn fittings (C) clockwise to fix.
- 2.2 : Insert 1x dowels (E) into the pre-drilled hole on right side panel (2) as shown.
- 2.3 : Attach 1x hanger rail support (F) onto right side panel (2) using 2x varianta screws (G) as shown. Use a screwdriver to turn fittings (G) clockwise to fix.

Fitting



C x 6



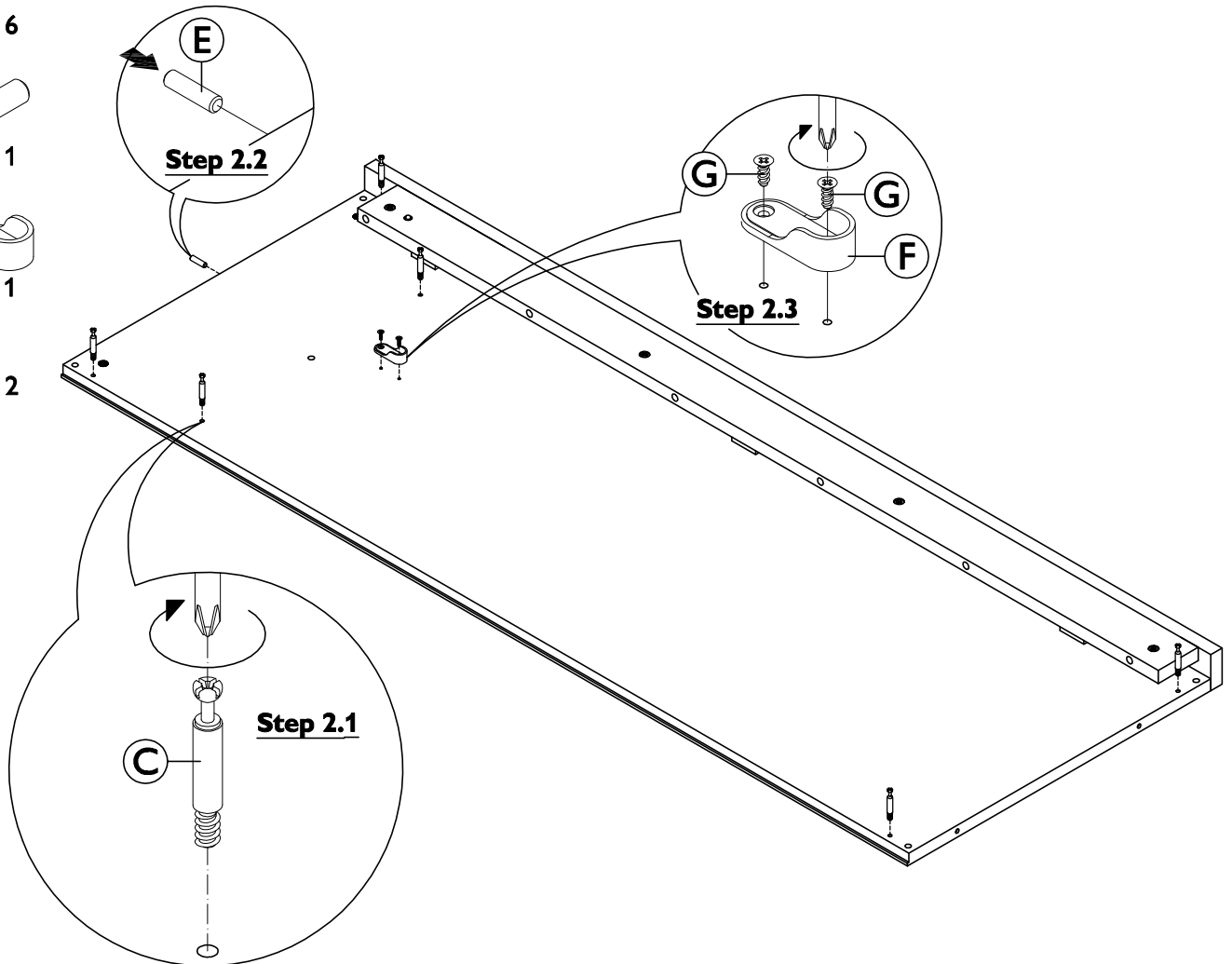
E x 1



F x 1

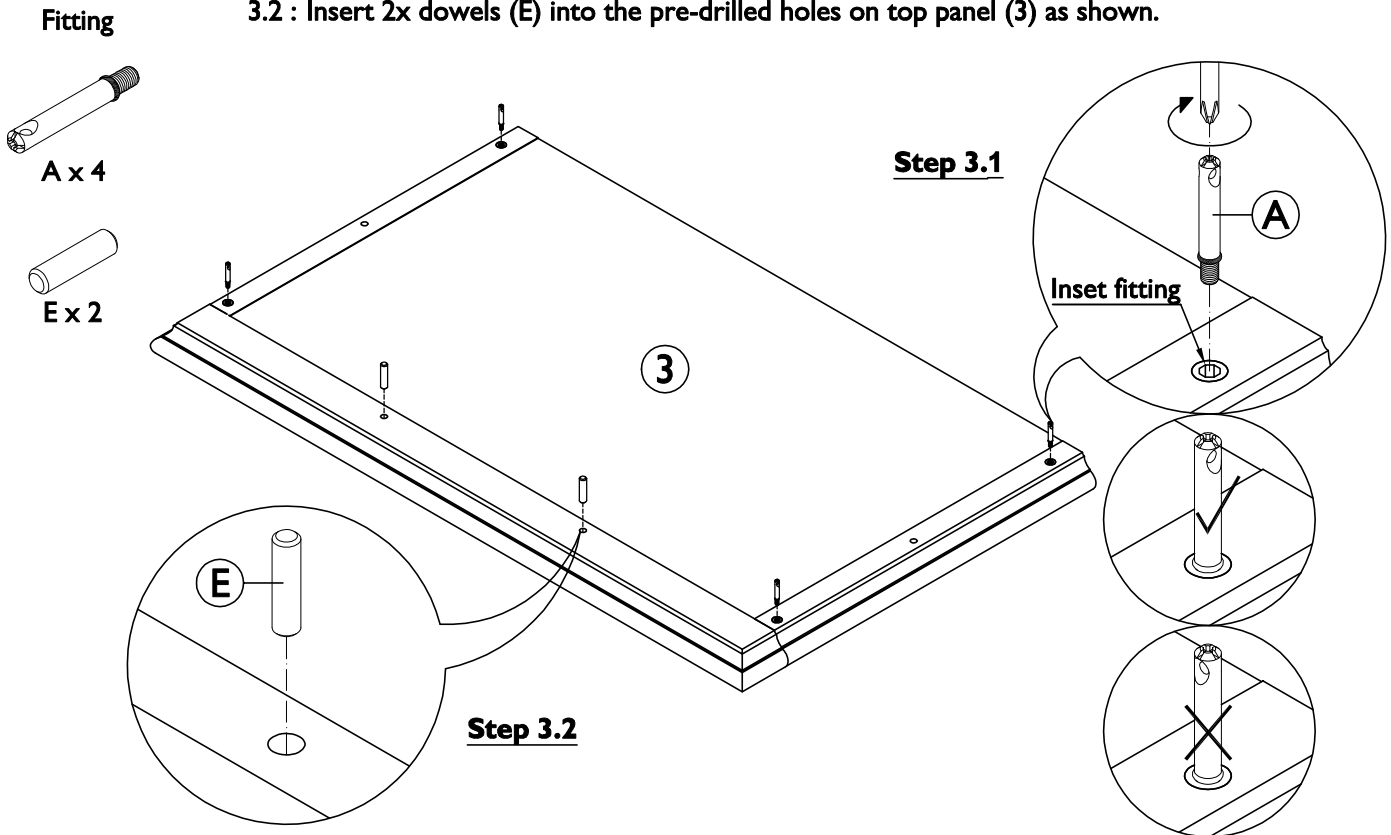


G x 2

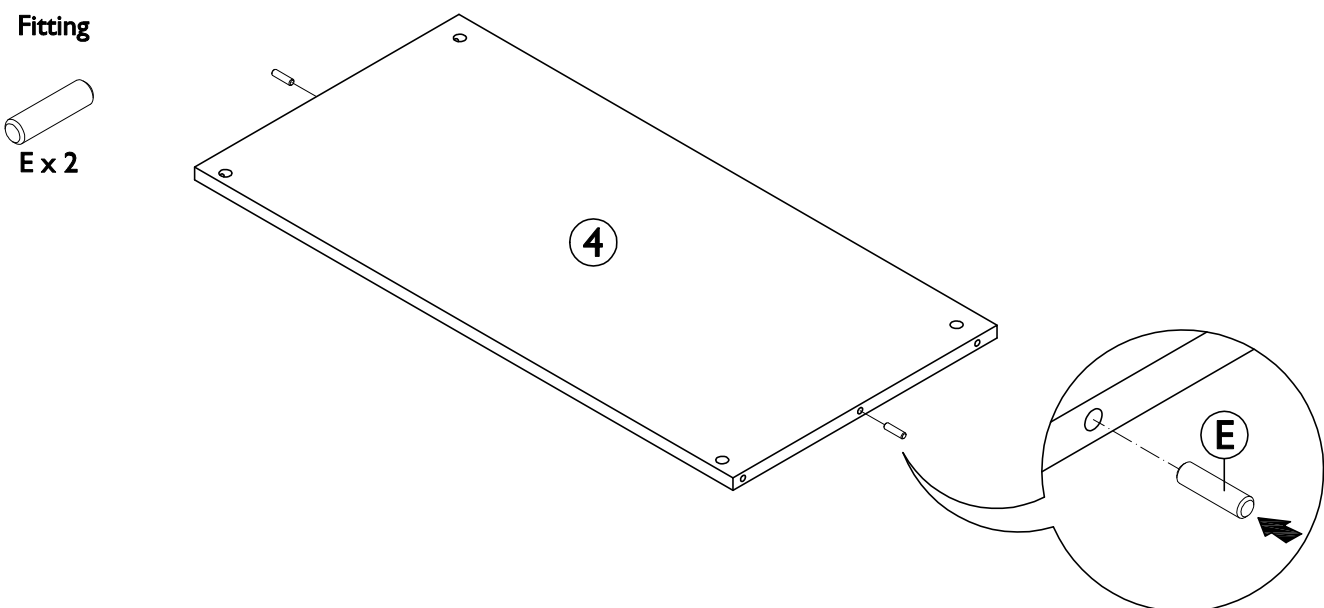


Step By Step Assembly Instructions

- Step 3** 3.1 : Attach 4x steel dowels (A) into top panel (3) by screwing fittings (A) into the inset fittings that are located inside part (3) as shown. Ensure the direction of the holes on fittings (A) are facing correctly as per diagram. Use a pozi screwdriver to turn fittings (A) clockwise to fix.
- 3.2 : Insert 2x dowels (E) into the pre-drilled holes on top panel (3) as shown.



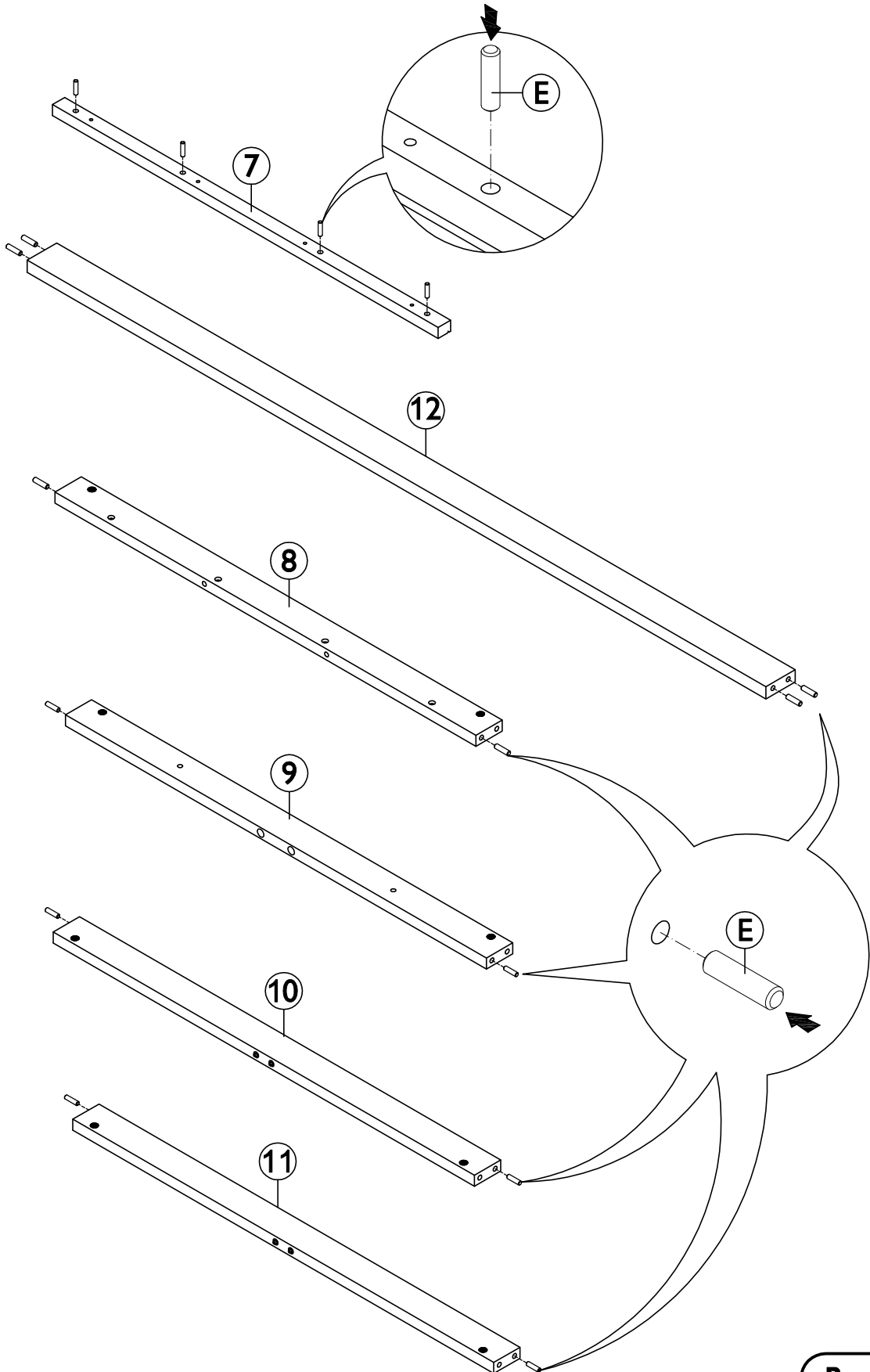
- Step 4** : Insert 2x dowels (E) into the pre-drilled holes on fixed shelf (4) as shown.



Step By Step Assembly Instructions

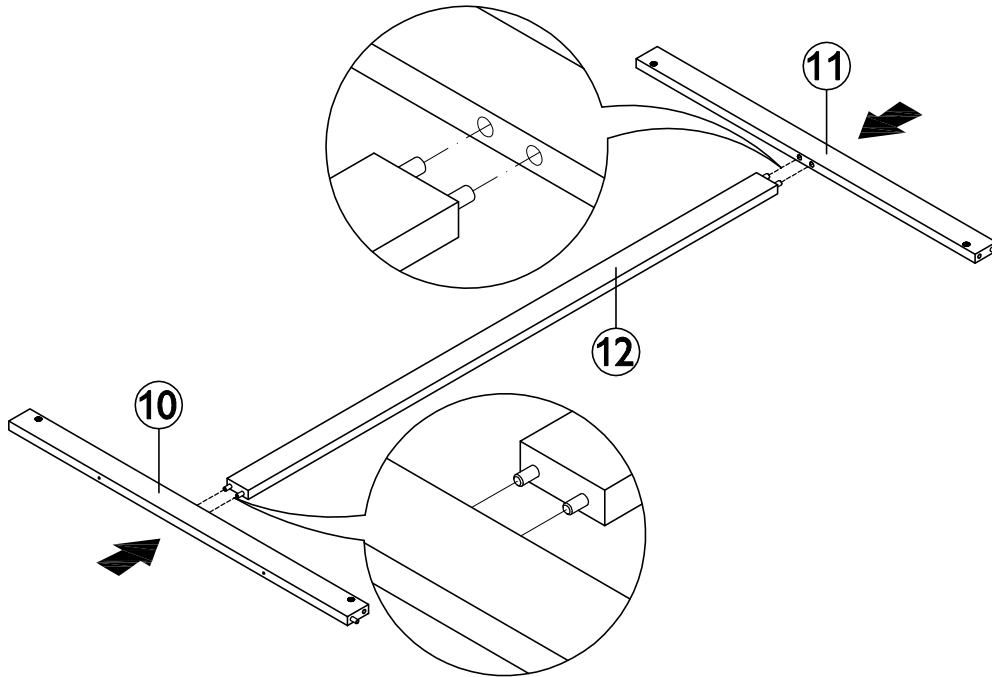
Step 5 : Insert 16x dowels (E) into the pre-drilled holes on rails (7), (8), (9), (10), (11) & (12) as shown.

Fitting



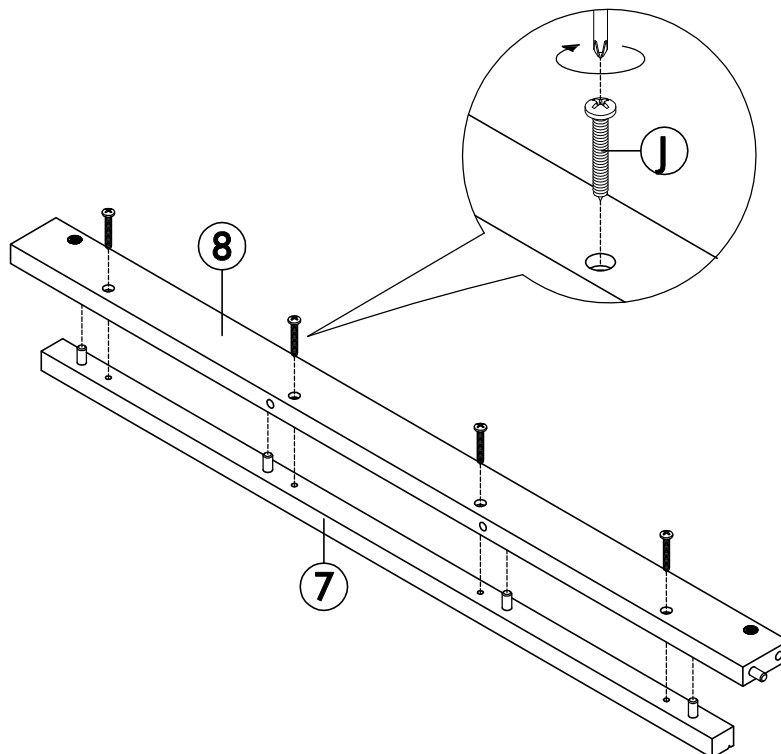
Step By Step Assembly Instructions

Step 6 : Attach rails (10), (11) onto vertical rail (12) as shown. Ensure wooden dowels are aligned correctly with the holes of mating parts before attaching.



Step 7 7.1 : Attach rail (8) onto rail (7) as shown. Ensure dowels (E) are aligned correctly with the holes of mating parts before attaching.
7.2 : Secure part (8) to part (7) using 4x round head screws (J) as shown. Use a screwdriver to turn fittings (J) clockwise to fix.

Fitting



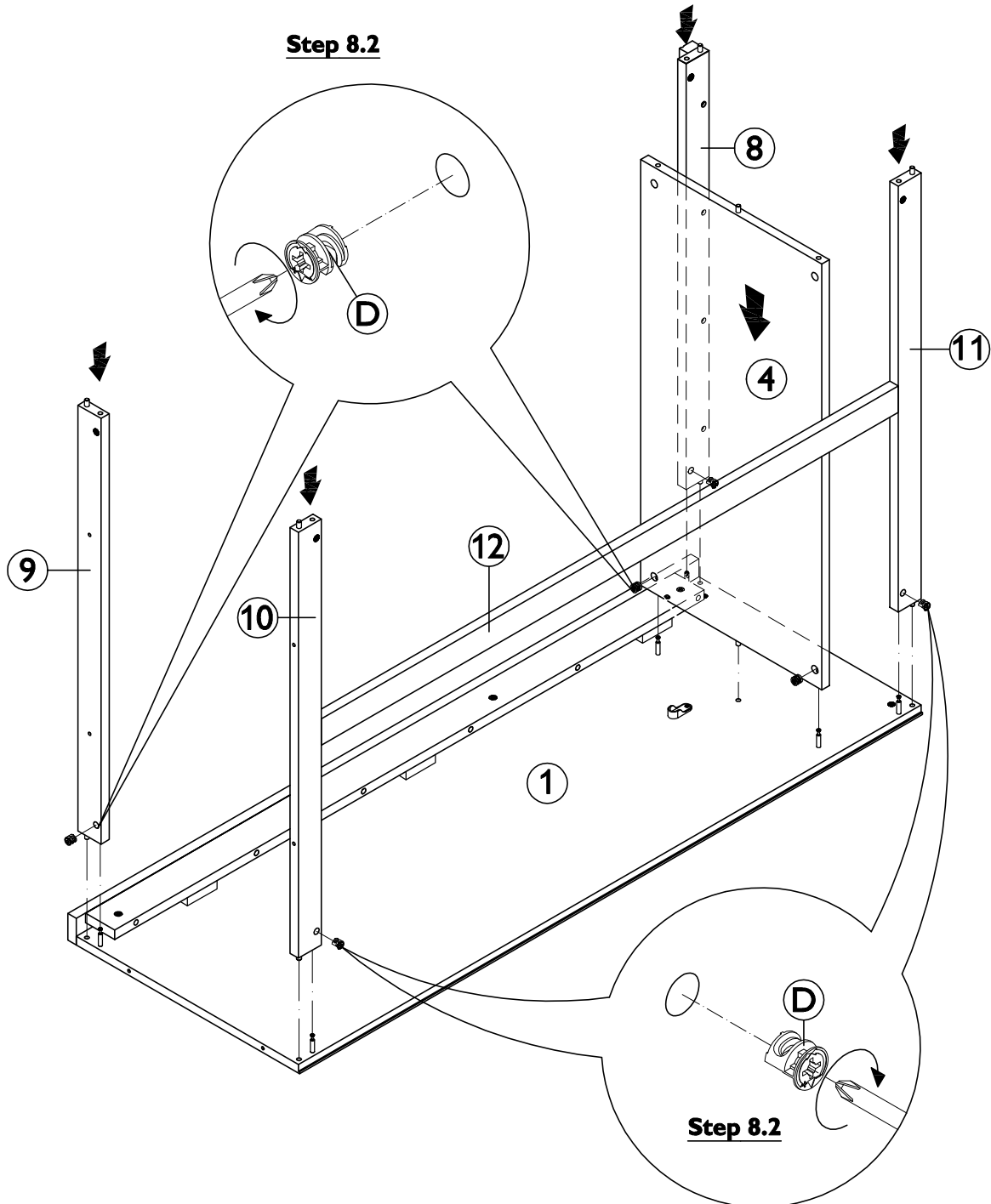
Step By Step Assembly Instructions

- Step 8** 8.1 : Attach the structure assembled in **Step 6**, fixed shelf (4) and rails (8), (9) onto left side panel (1) as shown. Ensure cam screws (C) and dowels (E) are aligned correctly with the holes of mating parts before attaching.
- 8.2 : Secure all parts (4), (8), (9), (10) and (11) to left side panel (1) using 6x cam locks (D) as shown. Use a screwdriver to turn fittings (D) clockwise to fix.

Fitting



D x 6



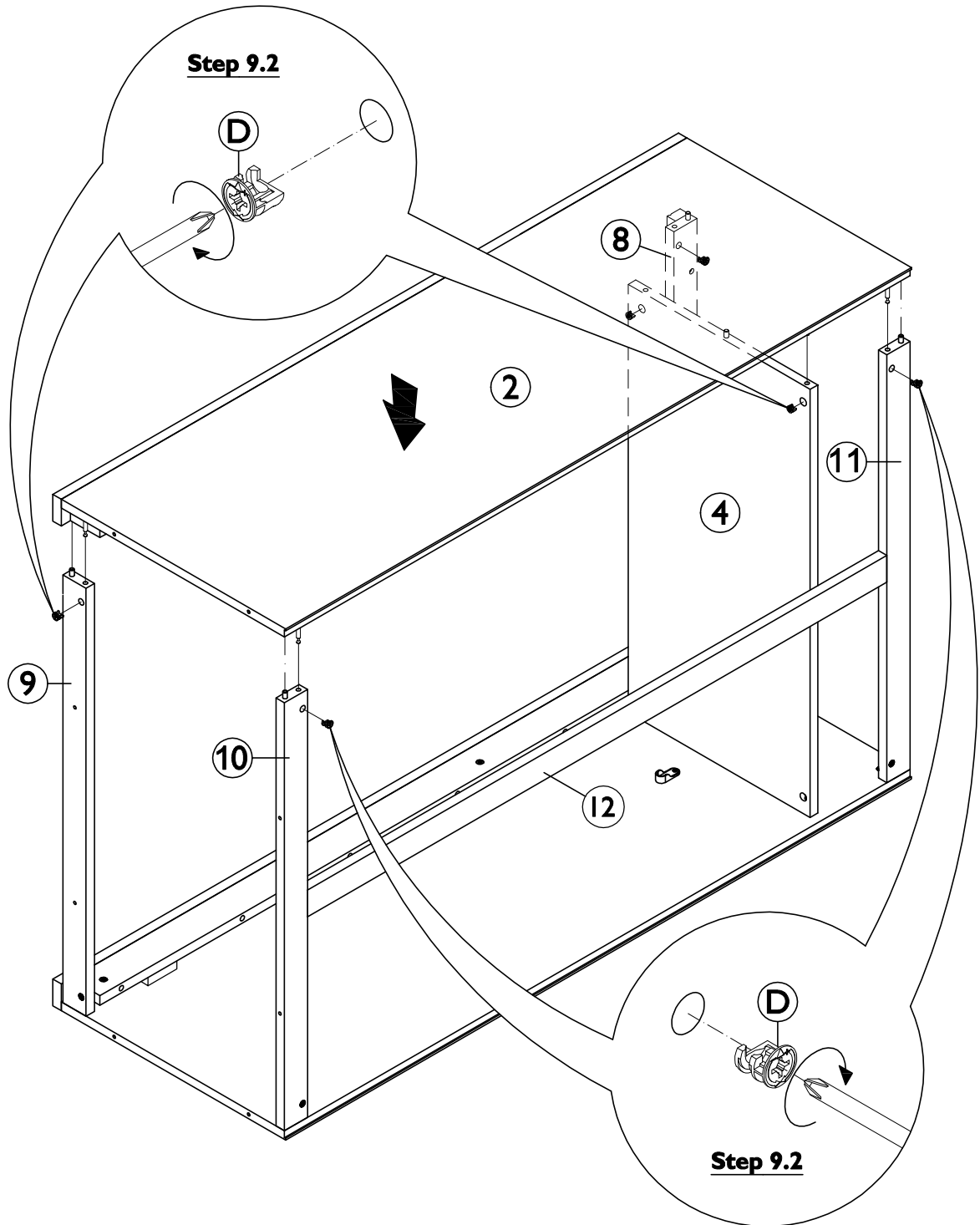
Step By Step Assembly Instructions

- Step 9** 9.1 : Attach right side panel (2) onto the structure assembled in **Step 8** as shown. Ensure cam screws (C) and dowels (E) are aligned correctly with the holes of mating parts before attaching.
- 9.2 : Secure right side panel (2) to all parts (4), (8), (9), (10) and (11) using 6x cam locks (D) as shown. Use a screwdriver to turn fittings (D) clockwise to fix.

Fitting



D x 6



Step By Step Assembly Instructions

- Step 10** 10.1 : Attach top panel (3) onto the structure assembled in **Step 9** as shown. Ensure steel dowels (A) and dowels (E) are aligned correctly with the holes of mating parts before attaching.
- 10.2 : Secure part (3) to parts (1) & (2) using 4x grub screws (B) and part (11) using 2x hex head bolts (L) as shown. Use a screwdriver to turn fittings (B) and allen key (Q) to turn fittings (L) clockwise to fix.

Fitting



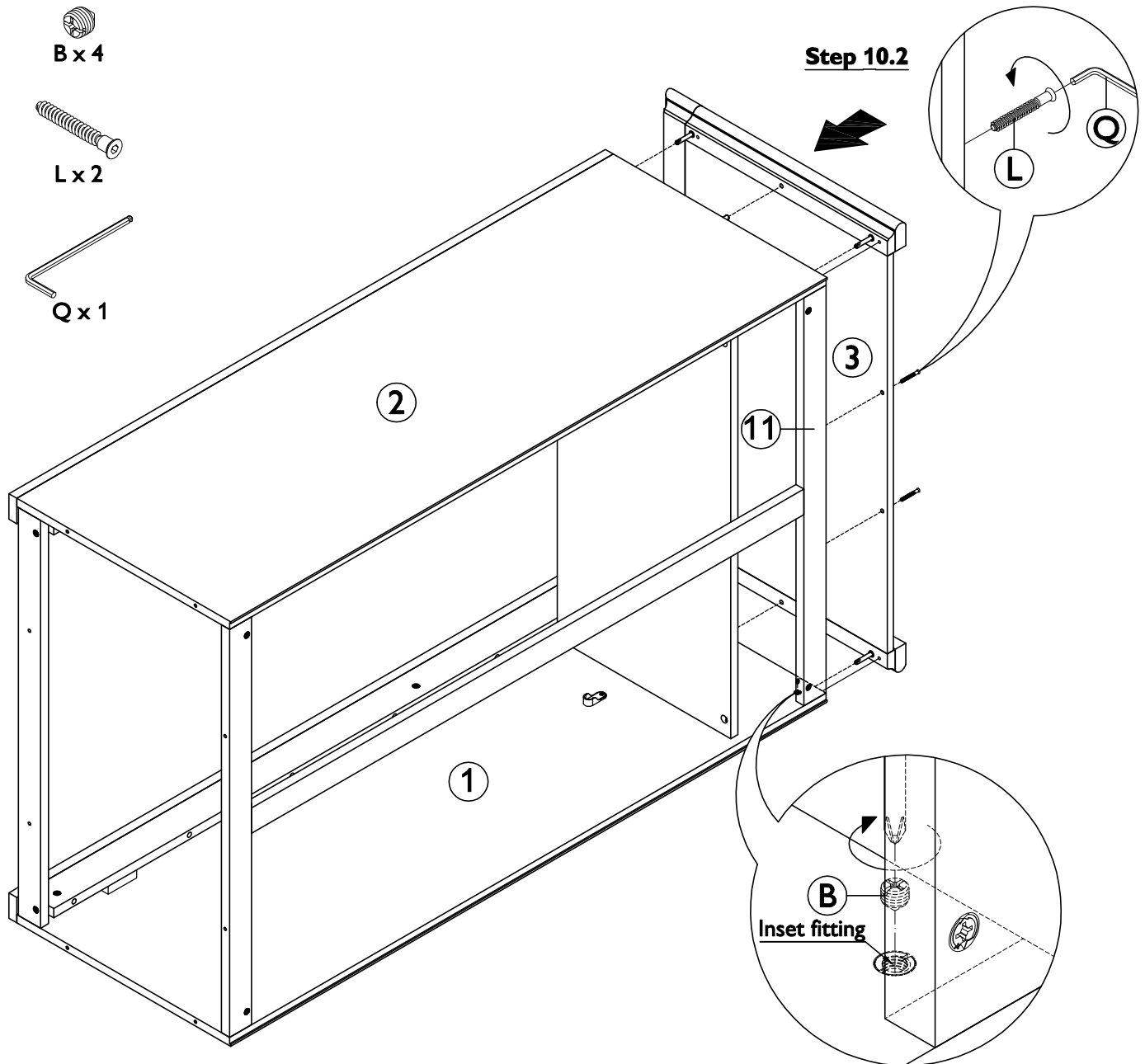
B x 4



L x 2



Q x 1



Step 10.2

Step By Step Assembly Instructions

- Step 11** 11.1 : With help of assistant, carefully turn the unit down so the back side of the unit is facing up as shown.
- 11.2 : Attach back panels (13) along outer edges onto back side of the unit using 28x round head screws (M) as shown. Use a screwdriver to turn fittings (M) clockwise to fix.
- 11.3 : Secure vertical gap using 4x round head screws (M) with 4x flat washers (T) as shown. Use a screwdriver to turn fittings (M) clockwise to fix.

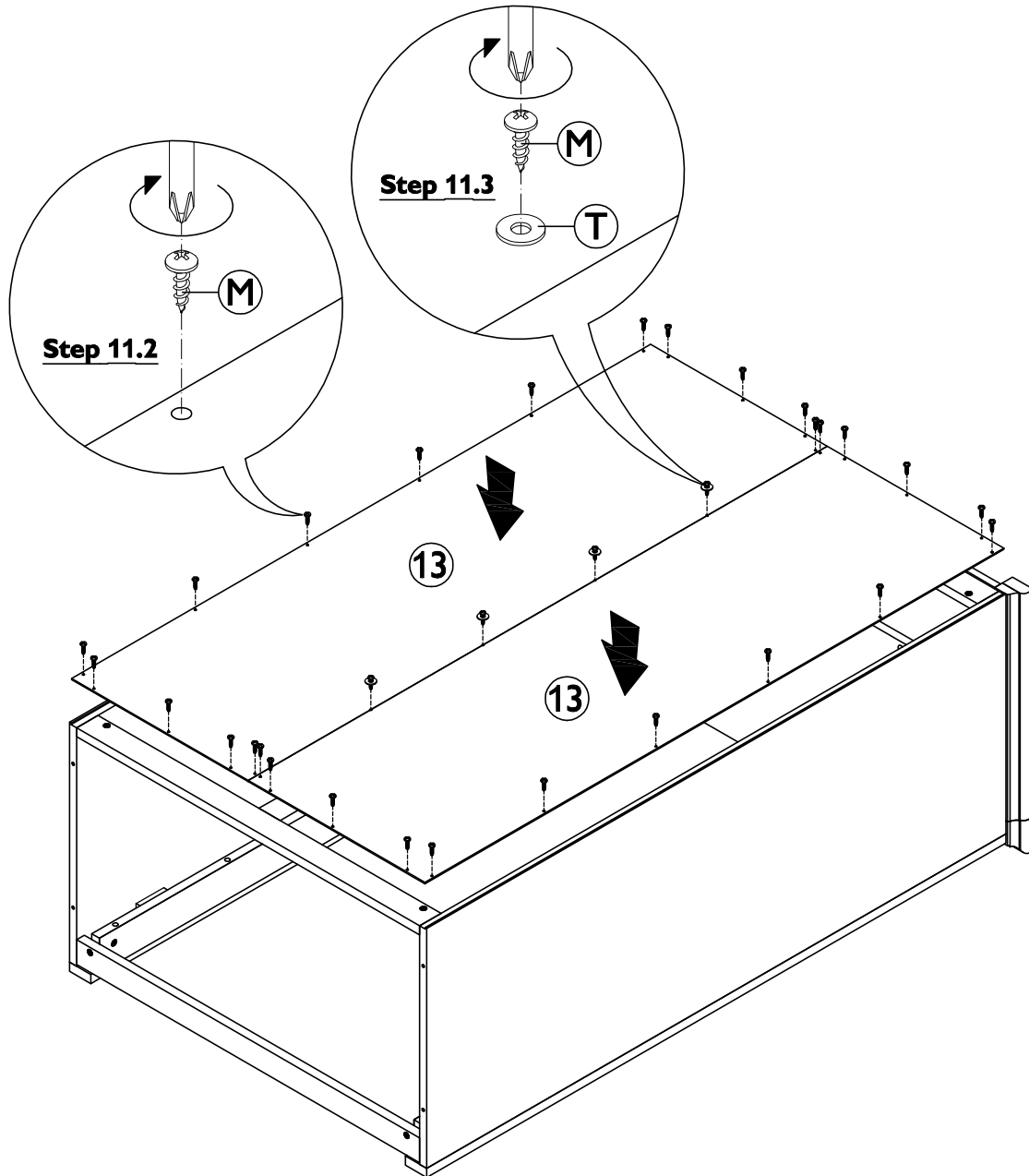
Fitting



M x 32

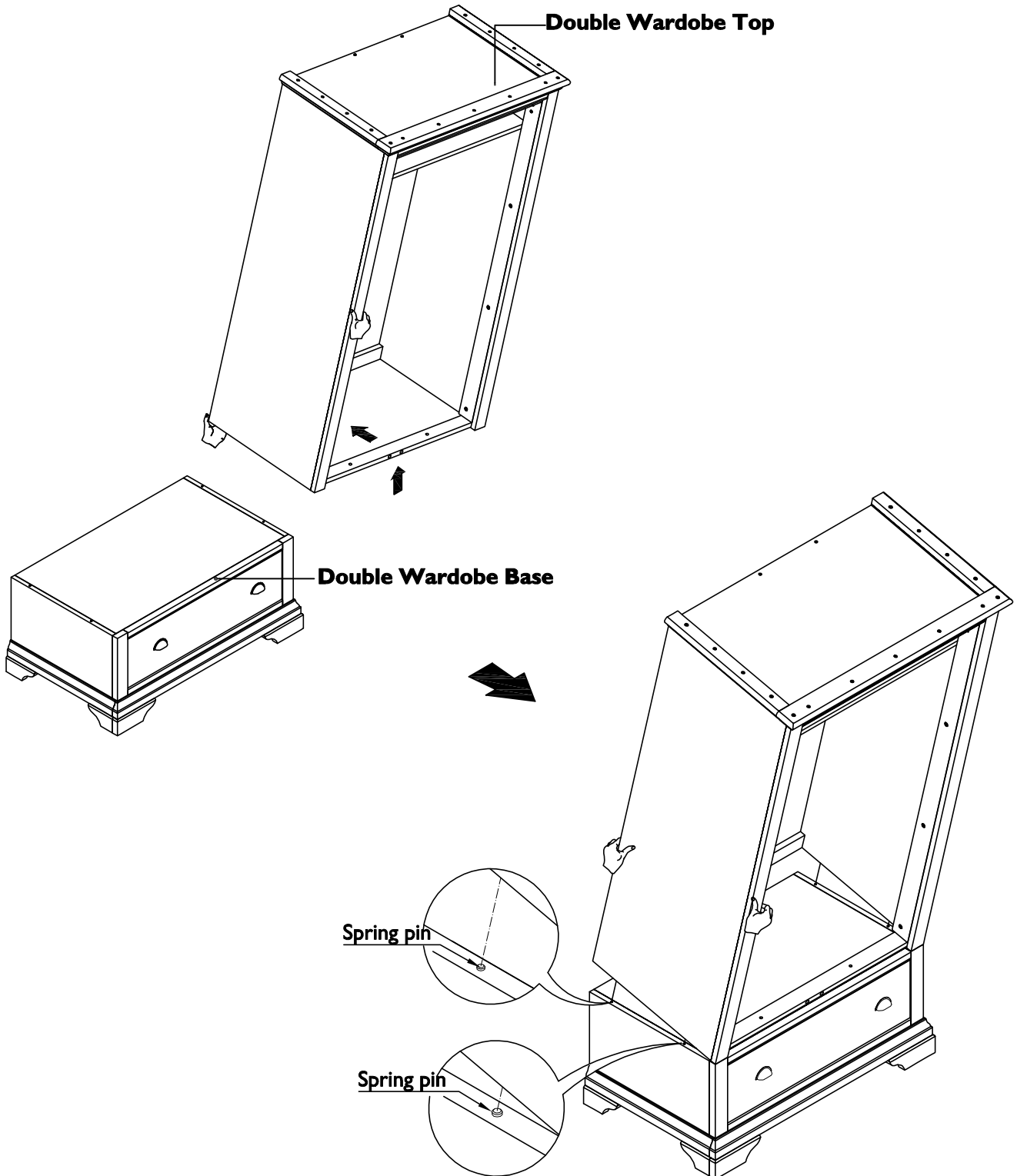


T x 4



Step By Step Assembly Instructions

- Step 12** **Note:** This product is heavy, it should be assembled as near as possible to the point of use.
- : With help of assistant, carefully lift the double wardrobe top upwards over the double wardrobe base.
 - : Carefully lower double wardrobe top onto double wardrobe base. Ensure the holes under double wardrobe top are aligned correctly with the mating spring pins on double wardrobe base to avoid damage as shown.



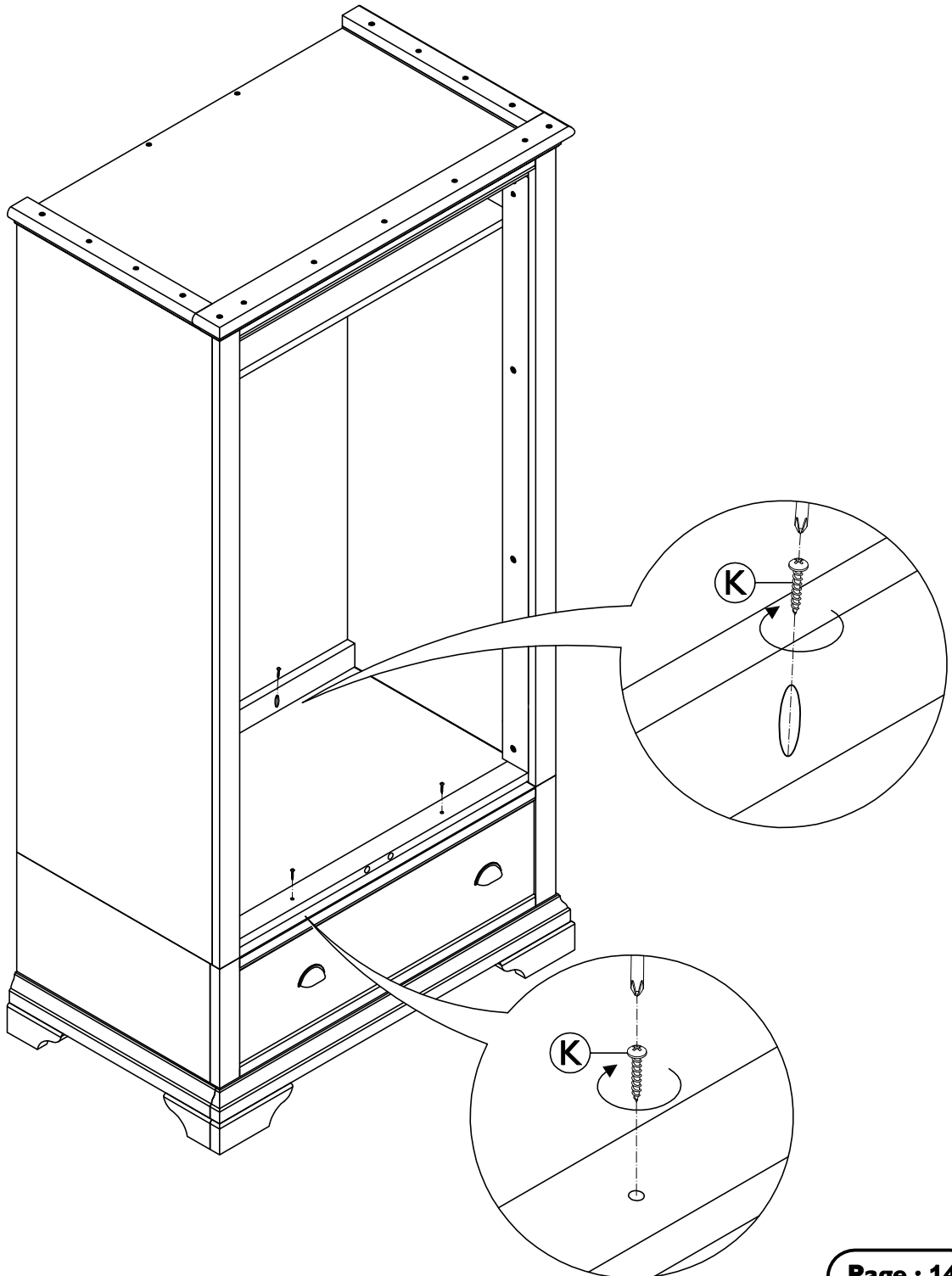
Step By Step Assembly Instructions

Step 13 : Secure double wardrobe top to double wardrobe base by screwing 4x round head screws (K) into the pre-drilled holes on bottom front and back rails (10) & (9) as shown. Use a screwdriver to turn fittings (K) clockwise to fix.

Fitting



K x 4



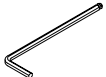
Step By Step Assembly Instructions

Step 14 : Attach doors (5) & (6) to side panels (1) & (2) using 8x hex head bolts (H) as shown. Ensure the holes on doors (5) & (6) are aligned correctly with the mating spring pins on side panels (1) & (2) to avoid damage. Use allen key (Q) to turn fittings (H) clockwise to fix.

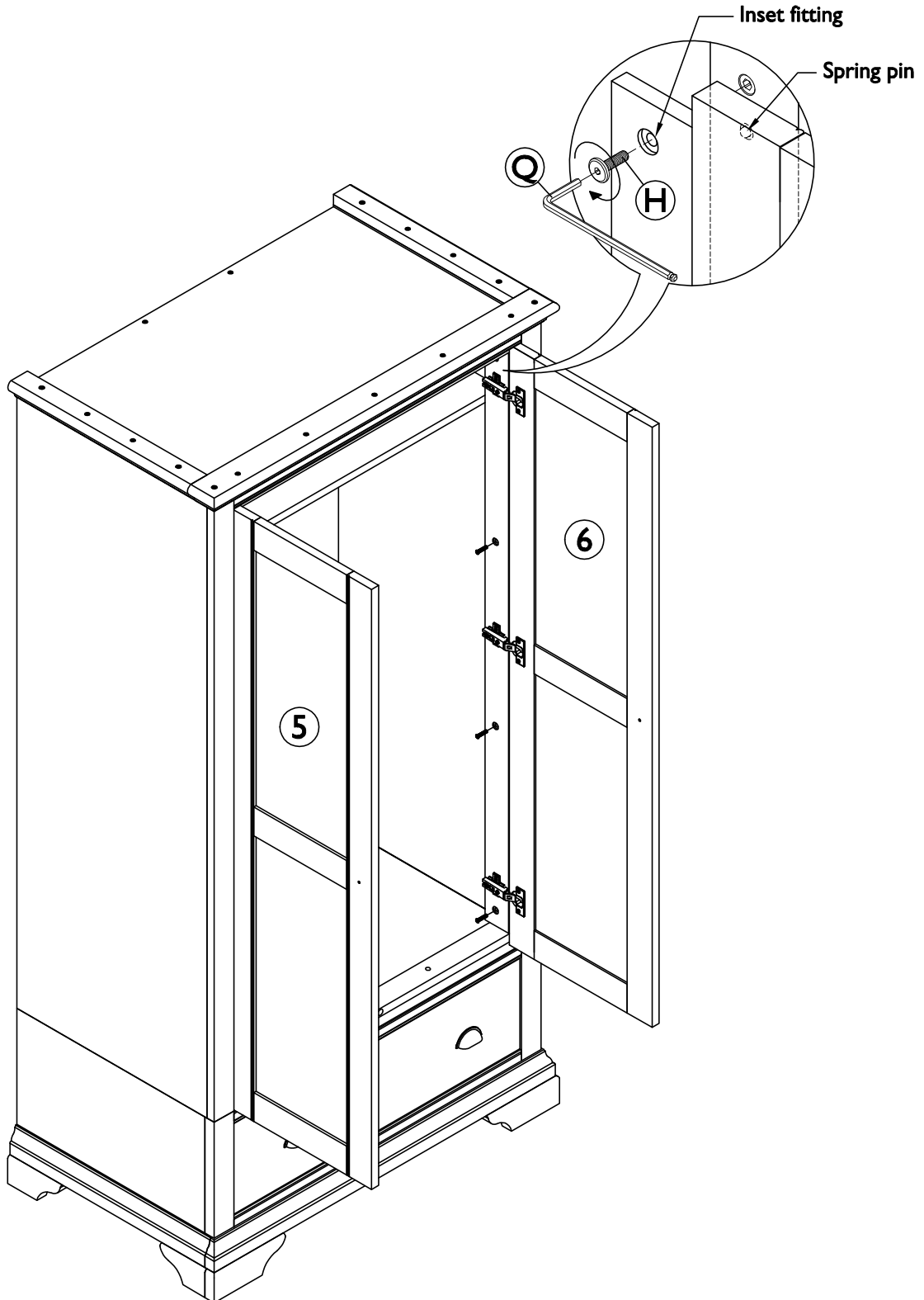
Fitting



H x 8



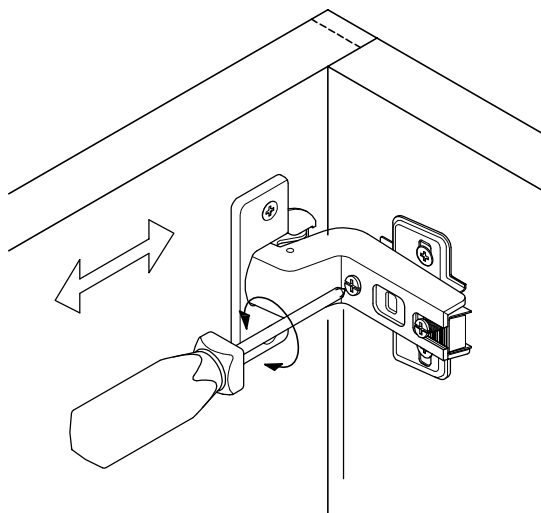
Q x 1



HINGE ADJUSTMENT INSTRUCTIONS

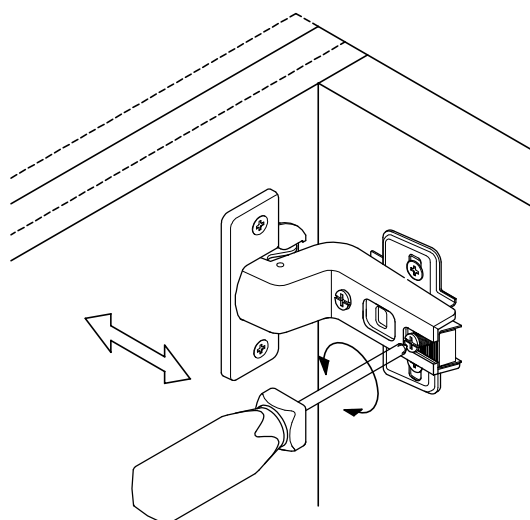
LATERAL ADJUSTMENT

by screw adjustment.



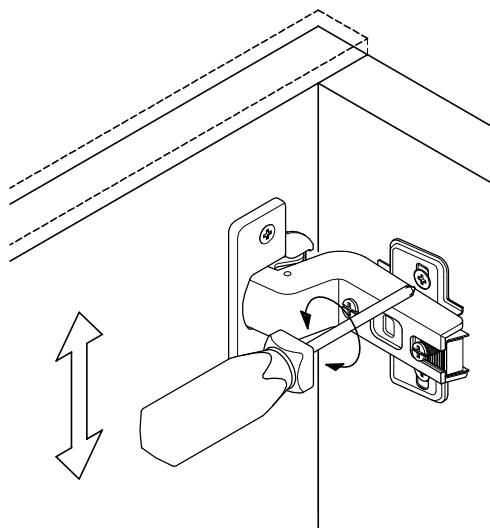
FRONT-TO-BACK

by slackening and retightening the hinge-arm mounting screw.



VERTICAL ADJUSTMENT

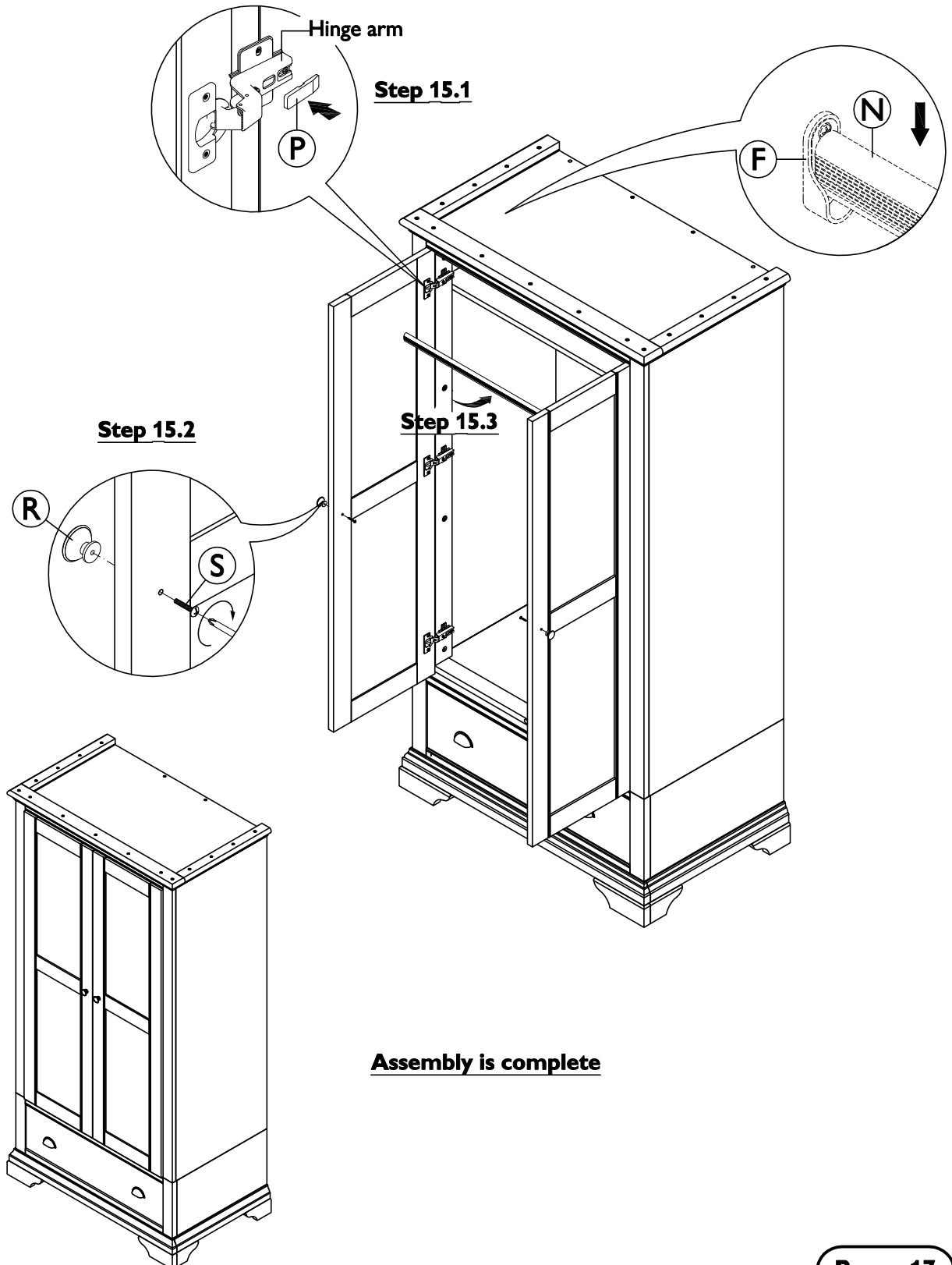
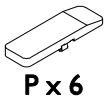
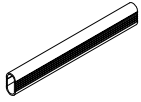
via slots on mounting plate by slackening and retightening the screws on mounting plate



Step By Step Assembly Instructions

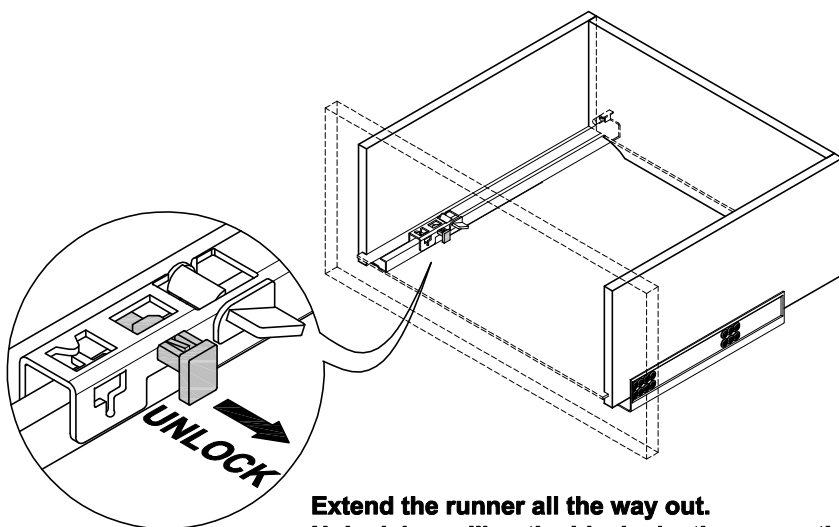
- Step 15** 15.1 : Attach 6x hinge cover caps (P) onto hinge arms. Push to clip on as shown.
15.2 : Attach 2x knobs (R) to the front of doors (5) & (6) using 2x round head bolts (S) as shown. Use a screwdriver to turn fittings (S) clockwise to fix.
15.3 : Place hanger rail (N) onto hanger rail support (F) on side panels of unit as shown.

Fitting

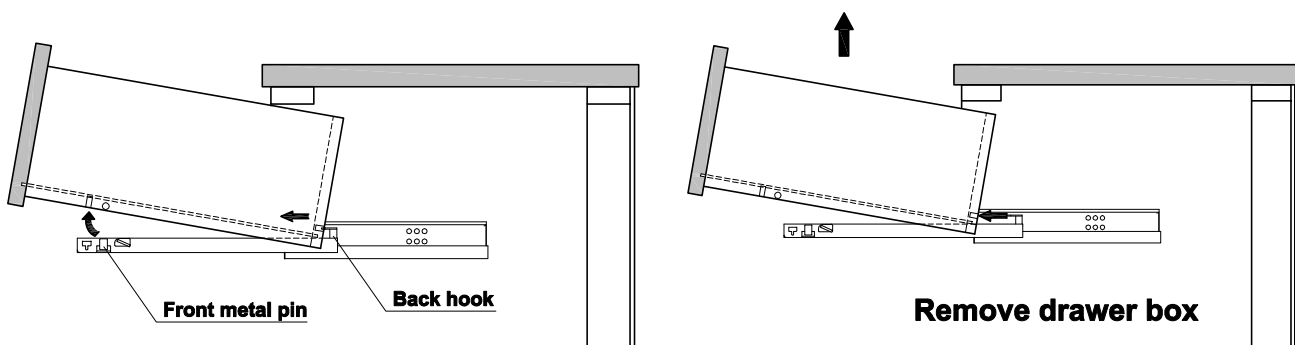


TANDEM RUNNER ADJUSTMENT INSTRUCTION

REMOVE

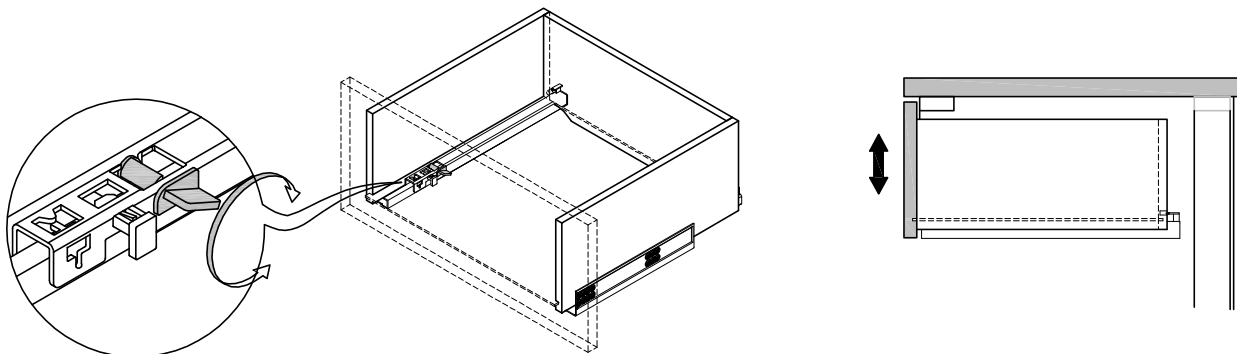


Extend the runner all the way out.
Unlock by pulling the black plastic peg on the runner out.



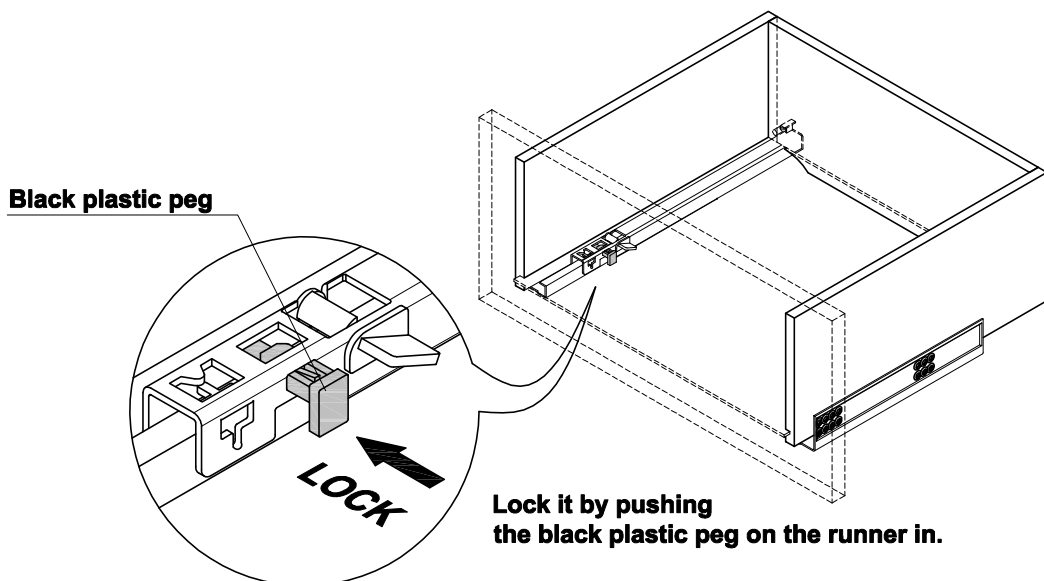
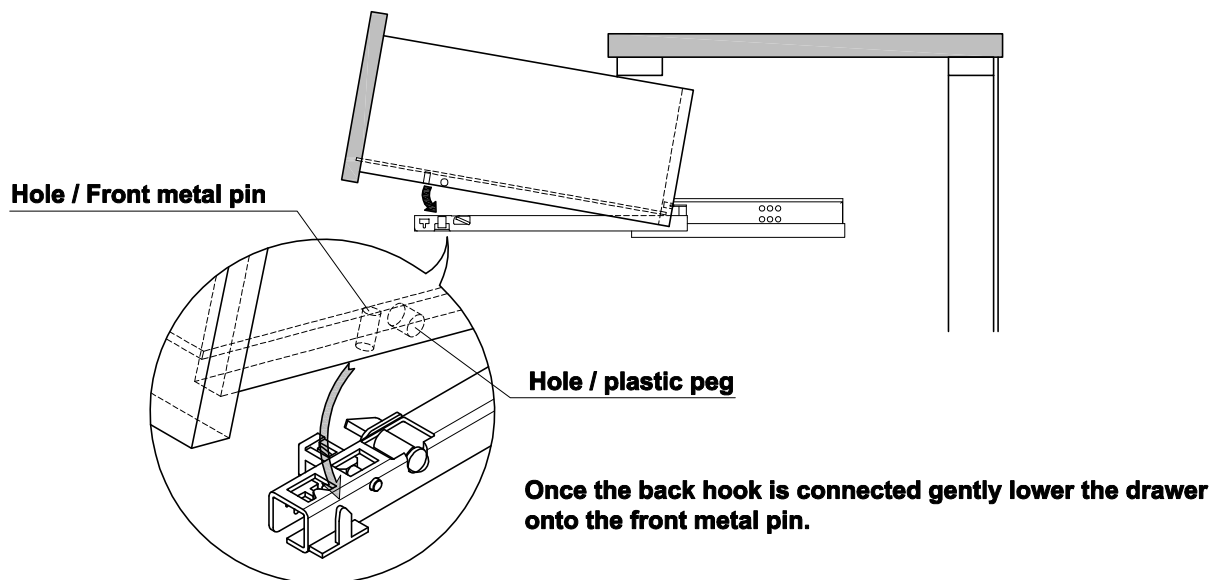
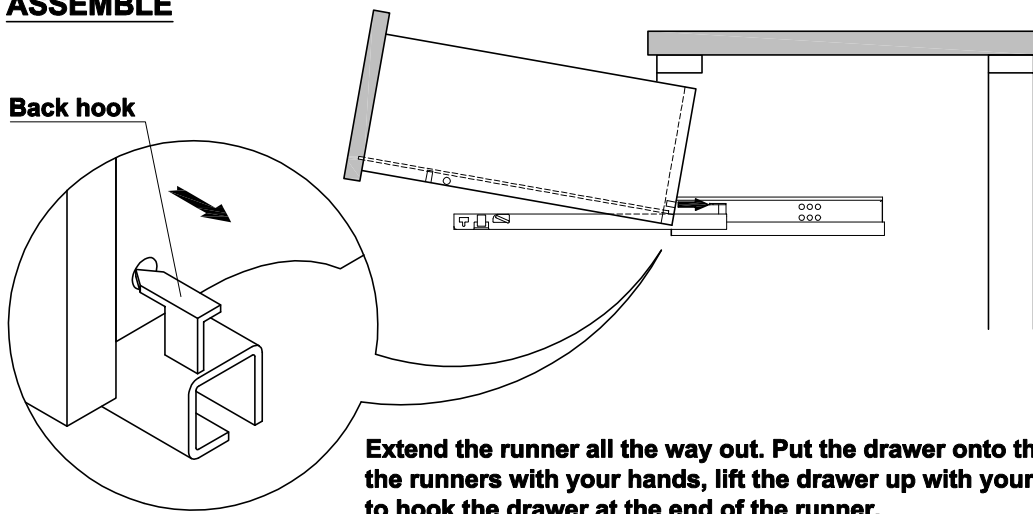
Hold runners with both of your hands.
Carefully lift the drawer front up from the front metal pin, then slide forward to remove from back hooks.

VERTICAL ADJUSTMENT (± 2.5 mm)



TANDEM RUNNER ADJUSTMENT INSTRUCTION

ASSEMBLE



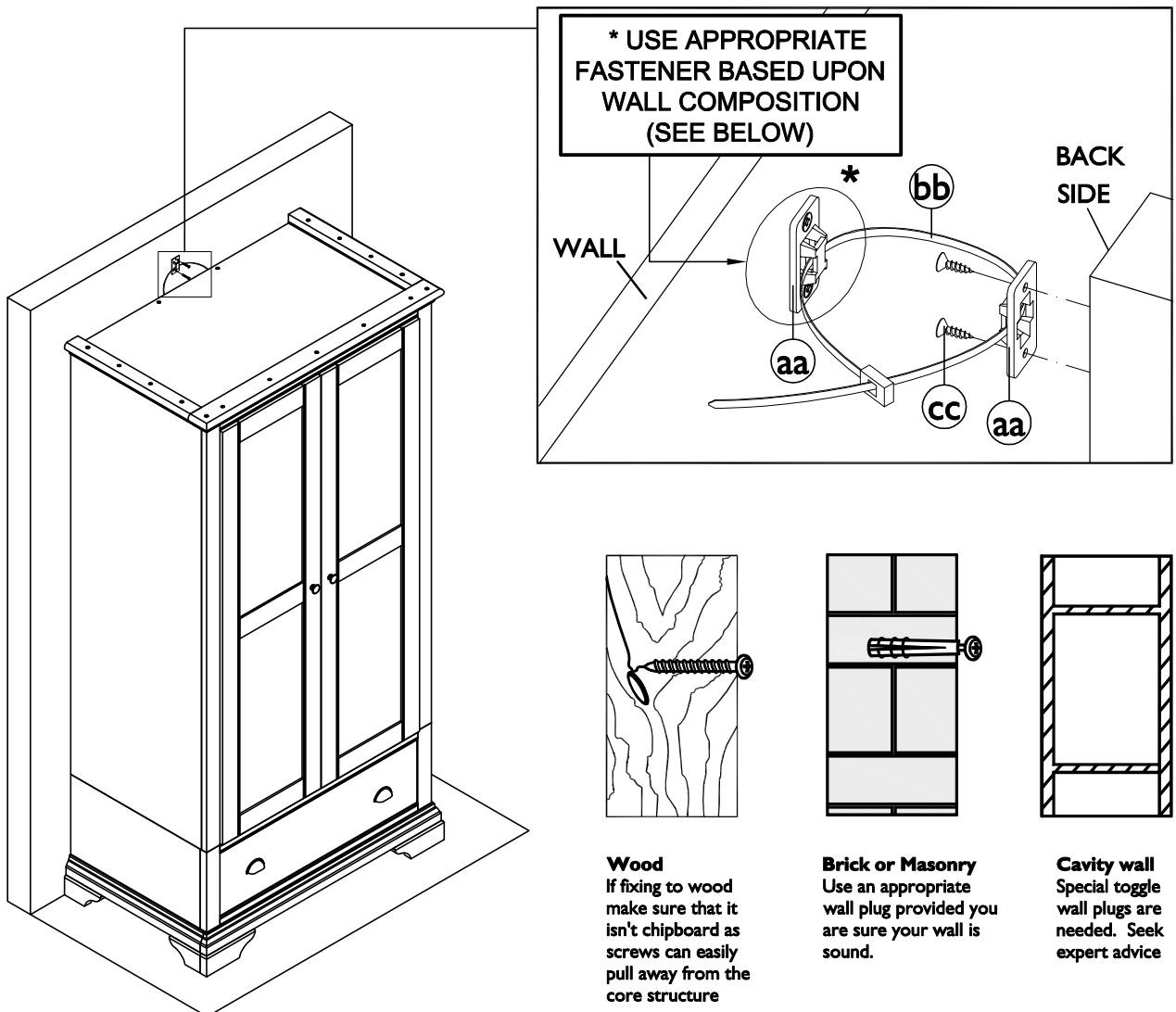
TIP KIT INSTRUCTIONS

Notice:

Notice: To prevent injury and property damage from unexpected tipping of furniture, we highly recommend installation of the anti-tip kit included with this product.

Attaching furniture to wall with anti-tip kits

1. Determine where the piece is to be placed and mark location on the wall for the mounting bracket screw holes. They should be placed approximately 1" below the top on the back of the piece of furniture.
2. Drill the hole and use the appropriate wall plug that is suitable for your walls composition.
Warning: Before drilling check wall for hidden pipes and cables.
3. Attach the mounting bracket vertically to the wall using appropriate fastener, through the holes in the bracket and 2 wall plugs that are suitable to your wall and then tighten securely.
4. Next using the short screws attach the 2nd bracket to the back of the piece of furniture's top.
5. Lace the nylon strap down through the brackets. Slide the thin end of the strap through the receiving end on the nylon strap. Pull to tighten the piece of furniture snug against wall.



CARE INSTRUCTIONS:

1. Hardware may loosen overtime. Periodically check that all connections are tight and re-tighten as necessary.
2. Wipe with a soft, dry cloth. To protect finish, avoid the use of chemicals and household cleaners.

Care and Maintenance

Wood Furniture

Wood displays different grain patterns depending on which way they are cut - for example, the 'medullary ray' which can appear on oak furniture is a mark of good quality timber - these are just characteristics of the natural beauty of the wood.

Some furniture is also deliberately aged and rustic.

Wood veneers also allow distinctive patterns to be created on some surfaces, such as table tops and drawer fronts by the way slivers are arranged.

All timber and veneer surfaces will change colour and mellow over time. New furniture will initially vary in shade from items that have been previously purchased.

How to care for your wood furniture

Dust with a clean, damp, lint free cloth. Frequent dusting will remove abrasive build up, which can damage the finish over time.

Do not use a very wet cloth or allow any liquid to contact with the veneers for a long period of time as this can permanently damage the surface. Wipe up spills immediately.

Do not use any abrasive cleaner or harsh detergent as this can damage the surface of the furniture.

Spray polishes are best avoided as they contain silicones which may spoil the furniture's surface when building up over time.

Make sure all surfaces are protected from heat and liquids by mats and coasters.

Ensure that a mat or pad is placed under paper when you are writing on the furniture surface.

Do not place rubber, cork, vinyl or plastic materials on the wood finish as chemicals within may react with the finish if left in contact for an extended period of time.

Our furniture will endure most temperatures in the home but it is best to avoid placing furniture next to heat sources such as radiators or fires. Be particularly careful with solid wood as the lack of humidity caused by home heating can cause damage such as warping, cracking or splitting.

Excessive exposure to sunlight can cause fading of your furniture.

Avoid exposing your furniture to any liquids. All liquids should be wiped up immediately with a soft, slightly damp cloth in the direction of the wood grain. If sticky liquid residues do occur, they may be removed with a dilute solution of warm soapy water followed by a clean, damp sponge. The area should then be wiped immediately in the direction of the wood grain with a clean, soft white cloth until completely dry.

Nail polish remover, hairspray, perfume, potpourri & any other products that contains solvents can damage wood upholstery finishes.

Safety Instructions:

Never drag furniture when moving it. Always lift it.

Periodically check all fixings to ensure none have come loose. Re-tighten when necessary.

Please take care when handling or moving the furniture as careless handling may cause damage or injury.

Furniture can be dangerous if incorrectly assembled. Assembly should be carried out by a competent person.

No liability will be accepted for damage or injury caused by incorrectly installed or assembled furniture.

Heavy item warning:

It is recommended to seek assistance when moving a heavy object. Take care when lifting to avoid personal injury and (or) damage to the product.

It is recommended that before moving a heavy object to a new location it is completely dis-assembled to avoid personal injury or damage to the furniture. Please be careful to retain all fittings when doing this.

PLEASE KEEP THESE INSTRUCTIONS FOR FUTURE REFERENCE