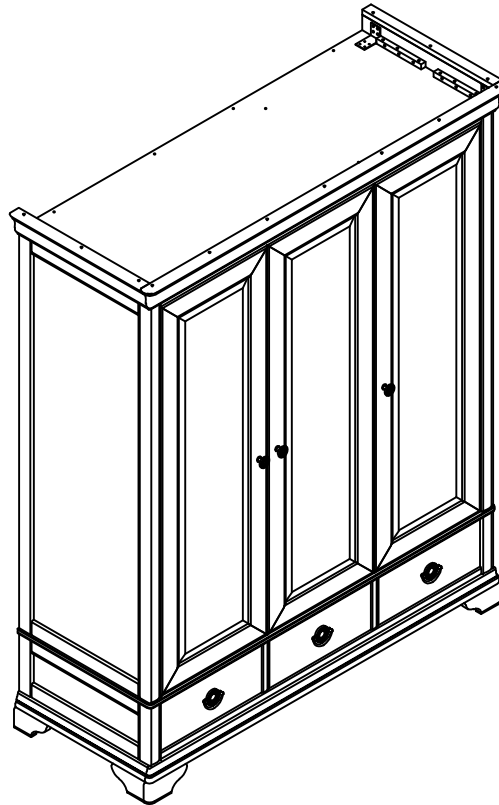


TRIPLE WARDROBE

Stock number: 901X-83

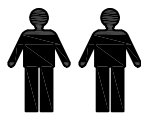
Thank you for purchasing this product. Please read the instructions carefully before use to ensure safe and satisfactory operation of this product.



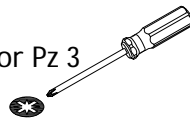
Pre-assembly preparation

Please ensure instructions are read in full before attempting to assemble this product.

Necessary Tools : Pozi screwdriver and Phillips screwdriver



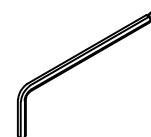
Pz 2 or Pz 3



Ph 2



(Included)



Please check the pack contents before attempting to assemble this product. A full checklist of components is given in this leaflet. If any components are missing, please contact the retailer from whom you bought this product.

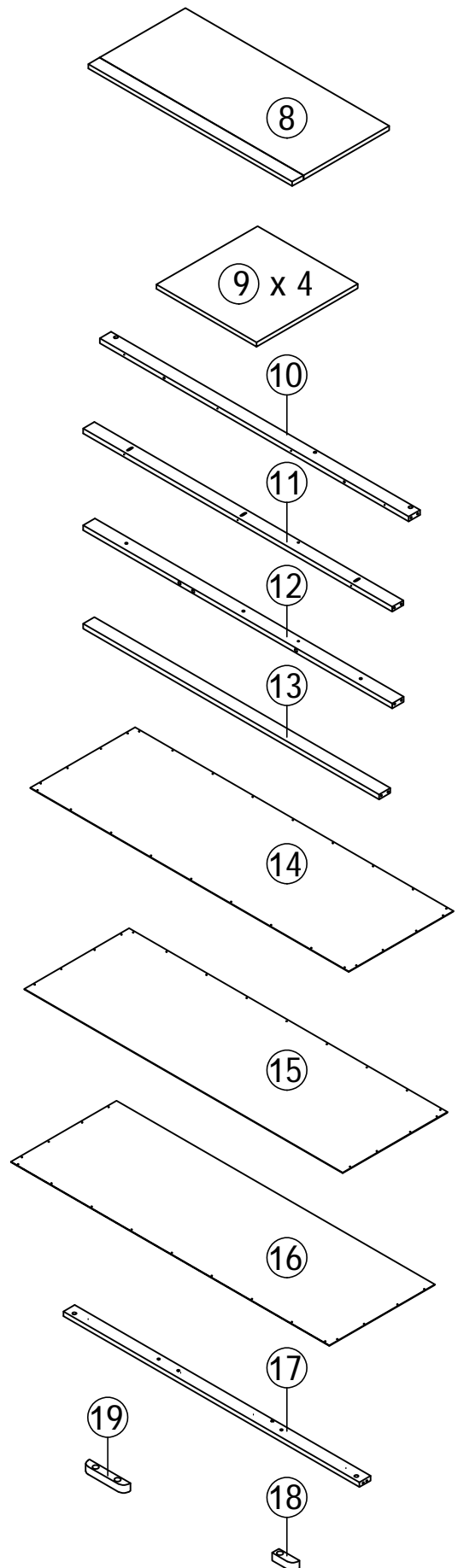
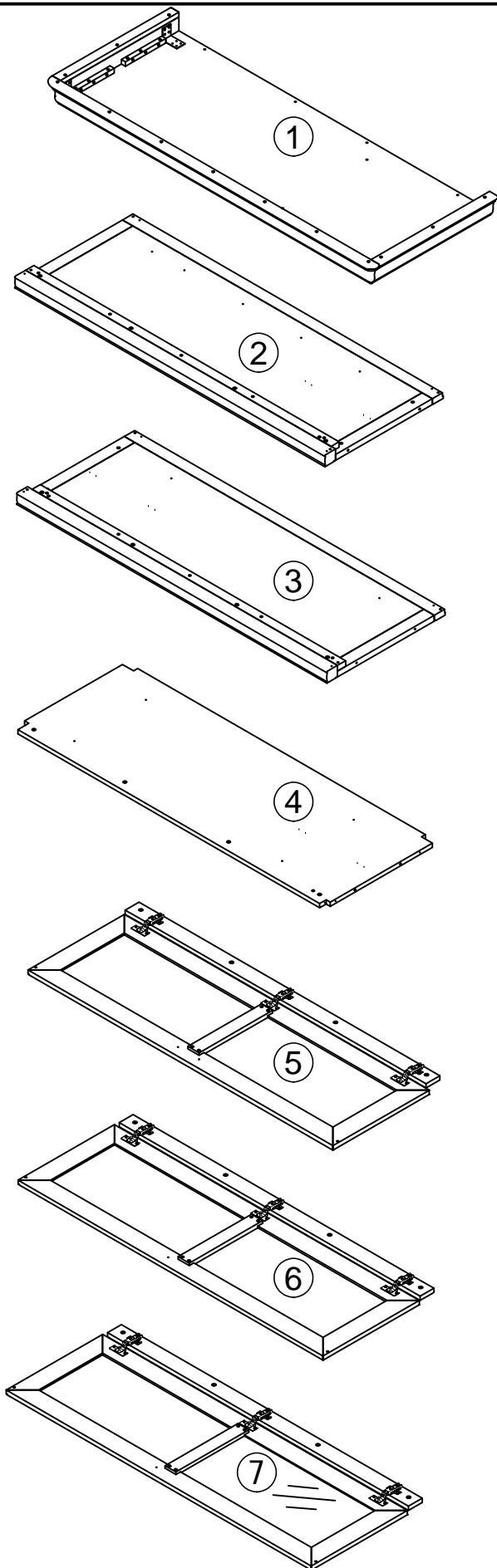
This product takes approximately 60 **MINUTES** to assemble with 2 **PEOPLE**.

All assembly should be performed on a flat, stable, clean and soft surface.








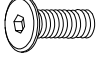
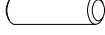
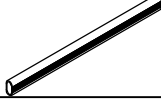
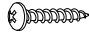






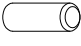


This product is **HEAVY**, it should be assembled as near as possible to the point of use. **TAKE CARE WHEN LIFTING** to avoid personal injury and (or) damage to the product

The fitting pack contains **SMALL ITEMS** which should be **KEPT AWAY FROM YOUNG CHILDREN**.

IMPORTANT: Retain these instructions for future reference.



Parts and fittings checklist

Item	Description	Qty.		Item	Description	Qty.	
1	Top panel	x 1		11	Bottom back rail	x 1	
2	Right side panel	x 1		12	Bottom front rail	x 1	
3	Left side panel	x 1		13	Vertical back rail	x 1	
4	Partition	x 1		14	Back panel	x 1	
5	Left door	x 1		15	Back panel	x 1	
6	Center door	x 1		16	Back panel	x 1	
7	Right door	x 1		17	Top front rail	x 1	
8	Removable shelf	x 1		18	Door stopper	x 1	
9	Removable shelf	x 4		19	Door stopper	x 1	
10	Top back rail	x 1					
A	Cam screw Ø7 x 44.5mm		x 4	L	Round head bolt Ø3.5 x 18mm		x 69
B	Steel dowel Ø7 x 52mm		x 8	M	Flat washer		x 9
C	Hanger rail support		x 8	N	Wood shelf support		x 20
D	Varianta screw Ø4.2x10.5		x 16	P	Hex head bolt M6x25mm		x 12
E	Dowel Ø8 x 30mm		x 14	Q	Long hanger rail		x 1
F	Round head screw Ø4x25mm		x 13	R	Short hanger rail		x 1
G	Grub screw Ø8 x 8		x 8	S	Handle		x 3
H	Cam lock Ø15x12.5mm		x 4	T	Round head bolt Ø4 x 25mm		x 3
J	Hex head bolt Ø7x50mm		x 10	U	Dowel Ø8 x 25mm		x 3
K	Allen key M4x30x110		x 1	V	Dowel Ø6 x 30mm		x 2

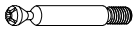
Step By Step Assembly Instructions

- Step 1**
- 1.1 : Lay all parts on a flat, stable, clean and soft surface.
- 1.2 : Attach 4x cam screws (A) into the pre-drilled holes on side panels (2) & (3) as shown. Use a pozi screwdriver to turn fittings (A) clockwise to fix.
- 1.3 : Attach 4x steel dowels (B) into side panels (2) & (3) by screwing fittings (B) into the pre-drilled holes on side panels (2) & (3) as shown. Use a pozi screwdriver to turn fittings (B) clockwise to fix.
- 1.4 : Attach 4x hanger rail support (C) onto side panels (2) & (3) using 8x varianta screws (D) as shown. Use a pozi screwdriver to turn fittings (D) clockwise to fix.

Fitting



A x 4



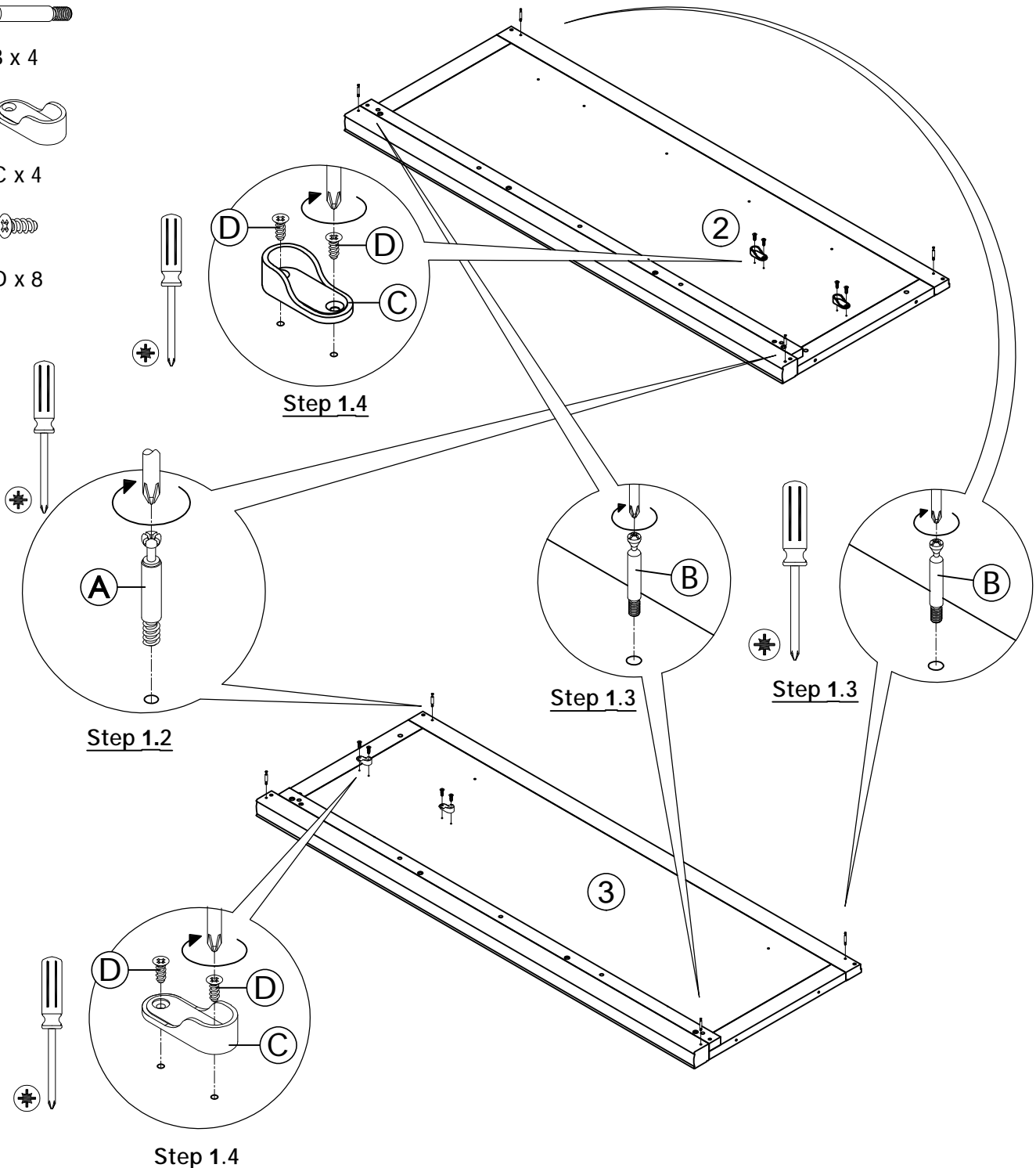
B x 4



C x 4



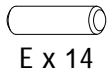
D x 8



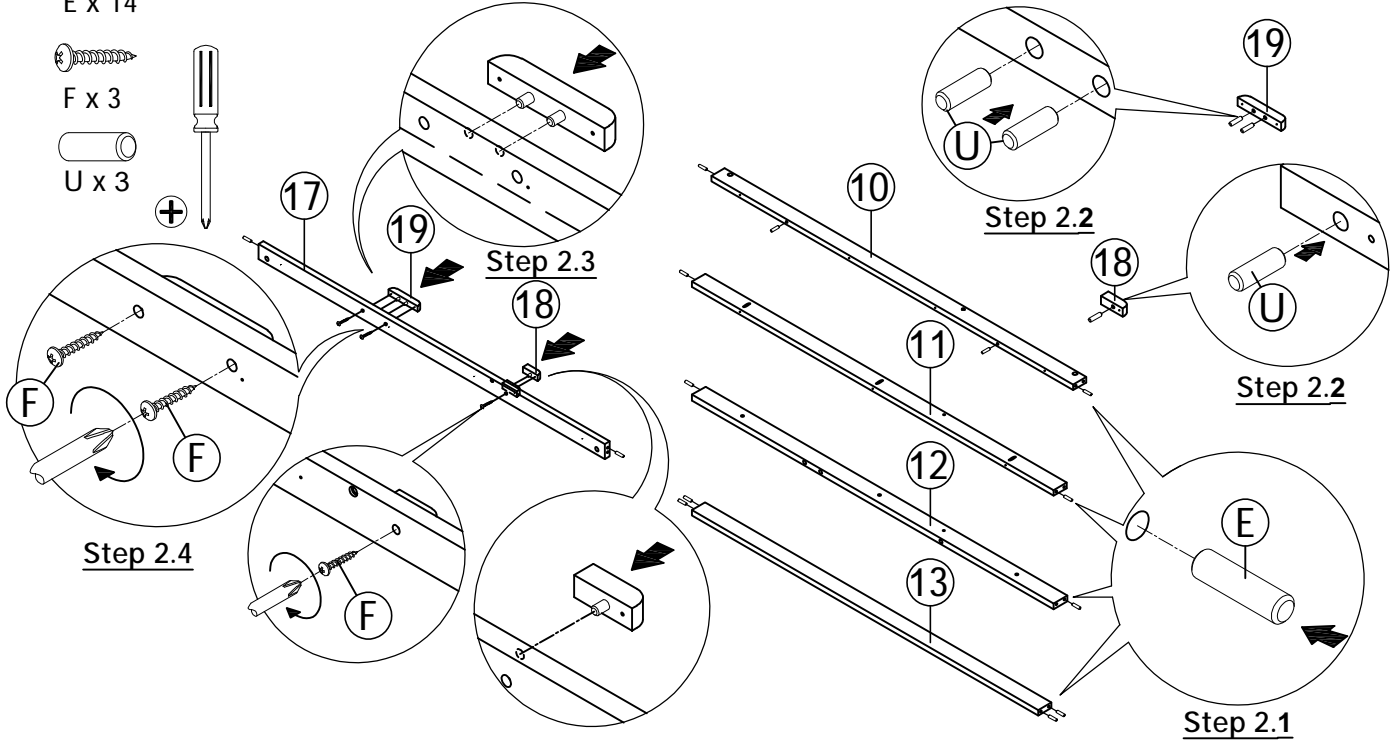
Step By Step Assembly Instructions

Step 2

Fitting



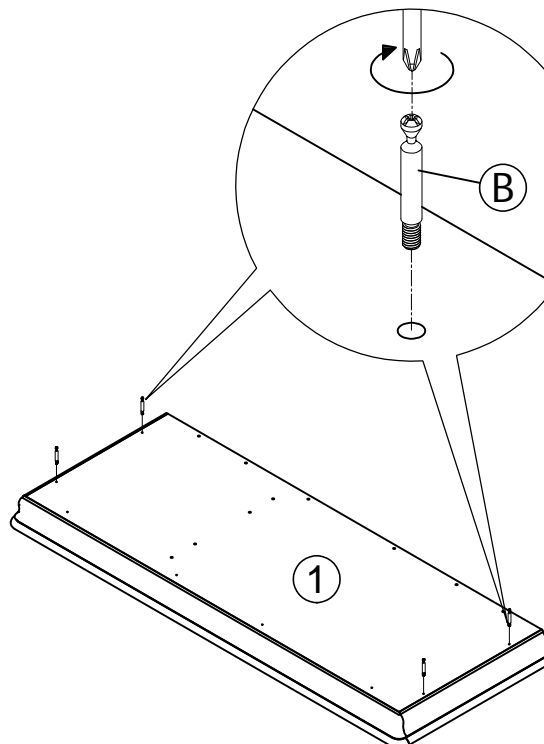
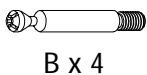
- 2.1 : Insert 14x dowels (E) into the pre-drilled holes on rails (10), (11), (12), (13), (17) as shown.
- 2.2 : Insert 3x dowels (U) into the pre-drilled holes on wood stopper (18), (19) as shown.
- 2.3 : Attach wood stopper (18), (19) on top front rail (17) as show. Ensure dowels (U) are aligned correctly with the holes of top front rail (17) before attaching.
- 2.4 : Secure wood stopper (18), (19) to top front rail (17) using 3x round head screw (F) as shown. Use a phillips screwdriver to turn fittings (F) clockwise to fix.



Step 3

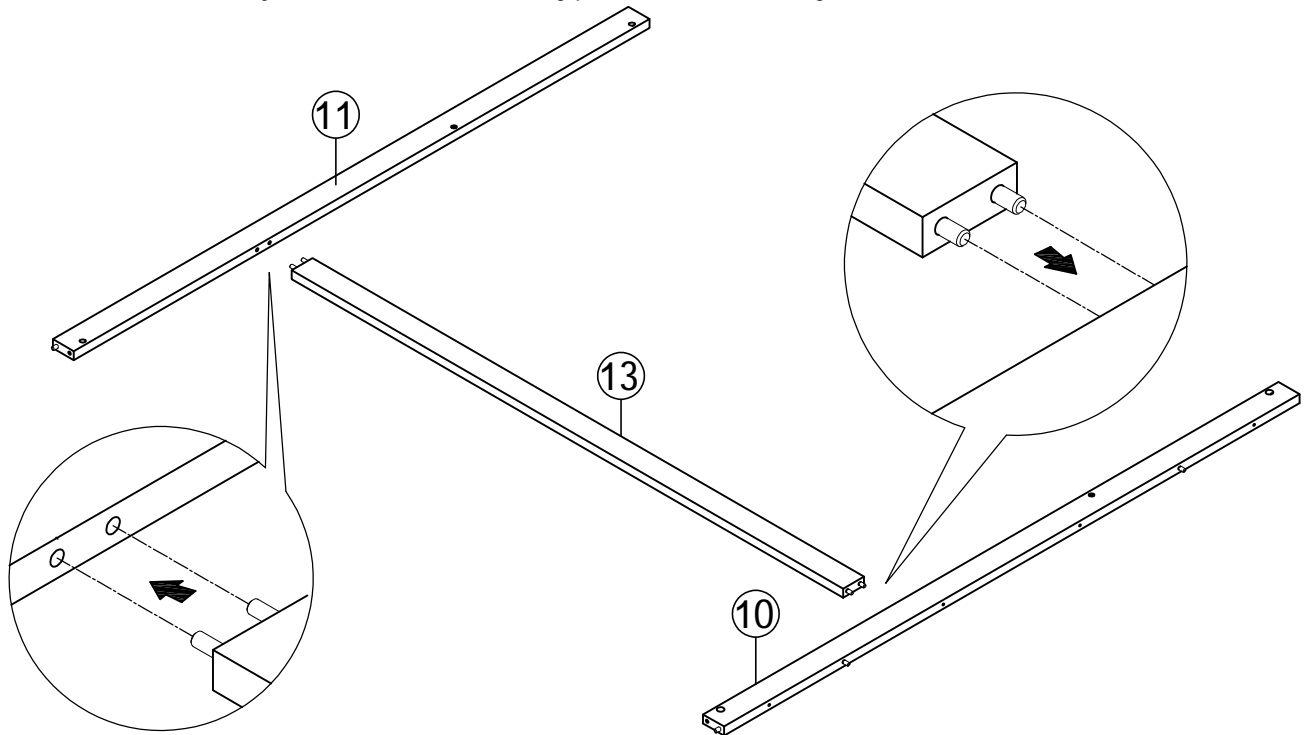
Attach 4x steel dowels (B) into top panel (1) by screwing fittings (B) into the pre-drilled holes on side panels (1) as shown. Use a pozi screwdriver to turn fittings (B) clockwise to fix.

Fitting



Step By Step Assembly Instructions

Step 4 : Attach rails (10), (11) onto vertical rail (13) as shown. Ensure wooden dowels (E) are aligned correctly with the holes of mating parts before attaching.



Step 5 5.1 : Attach rails (10), (11), (12) and (17) onto left side panel (3) as shown. Ensure cam screws (A), steel dowels (B) and dowels (E) are aligned correctly with the holes of mating parts before attaching.

5.2 : Secure all parts (10), (11), (12) and (17) to part (3) using 2x cam locks (H) and 2x grub screws (G) as shown. Use a allen key (K) to turn fittings (G) clockwise to fix. Use a pozi screwdriver to turn fittings (H) clockwise to fix.

Fitting



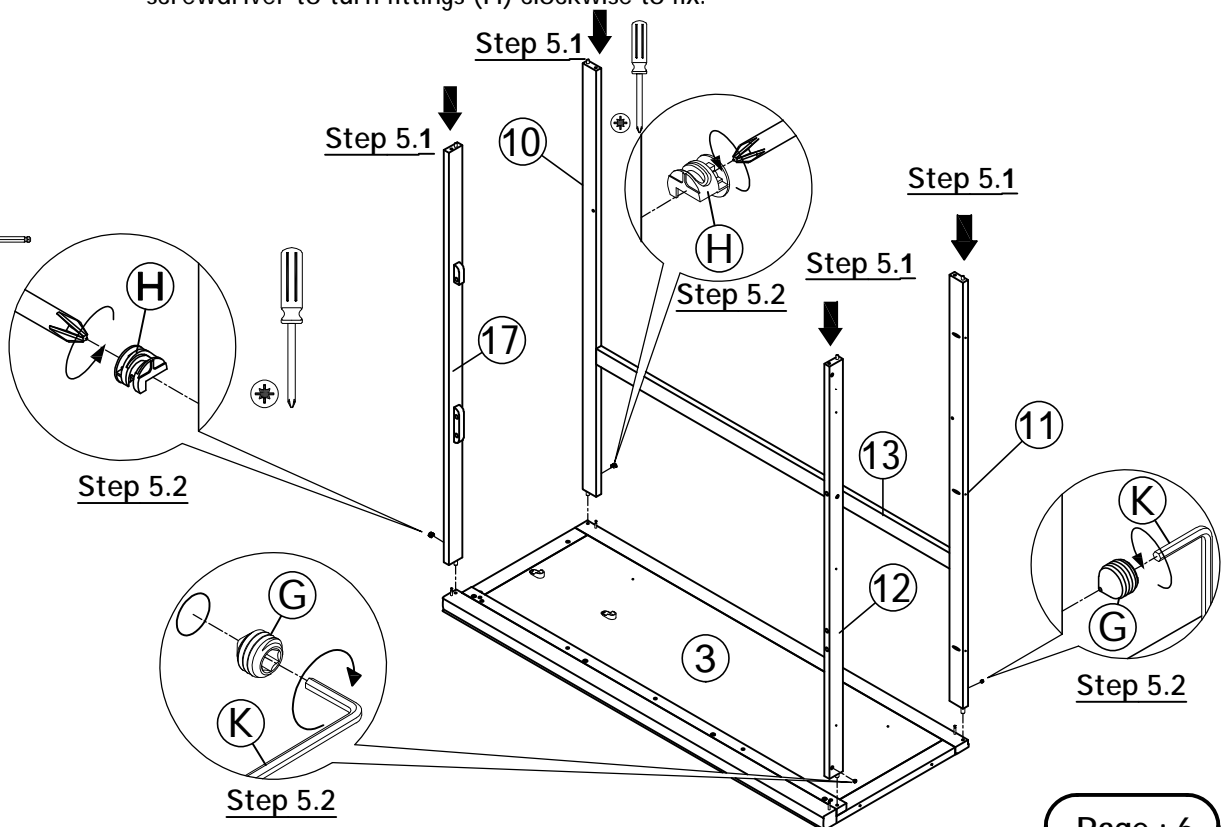
G x 2



H x 2

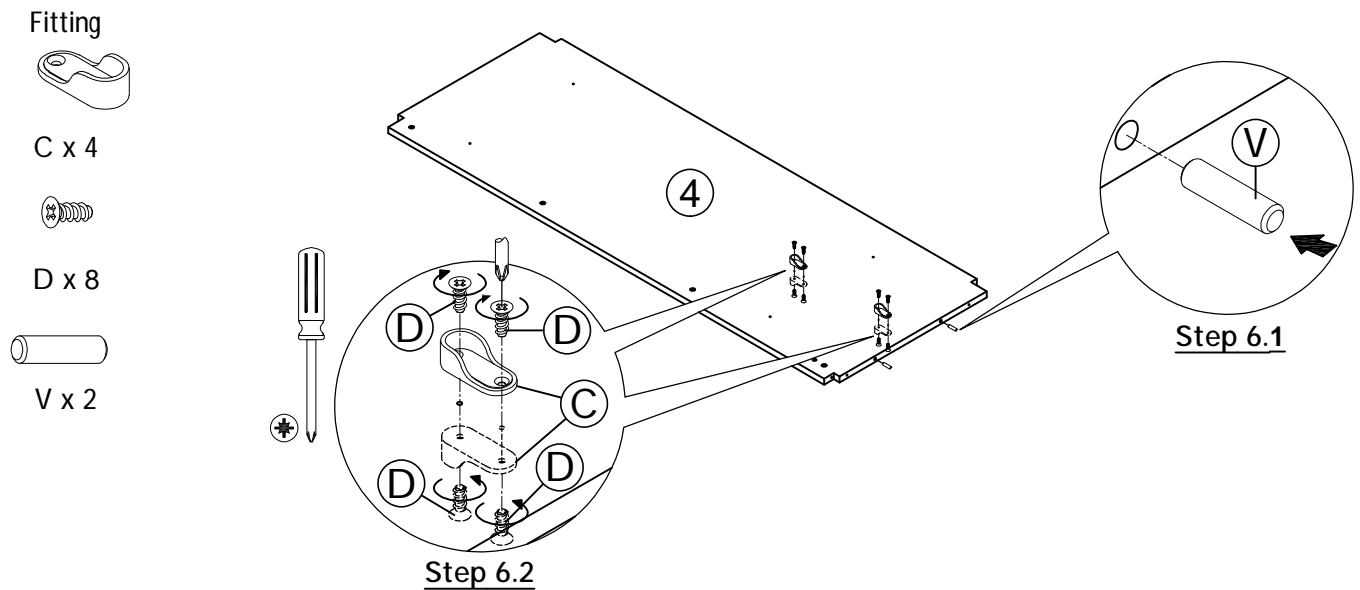


K x 1

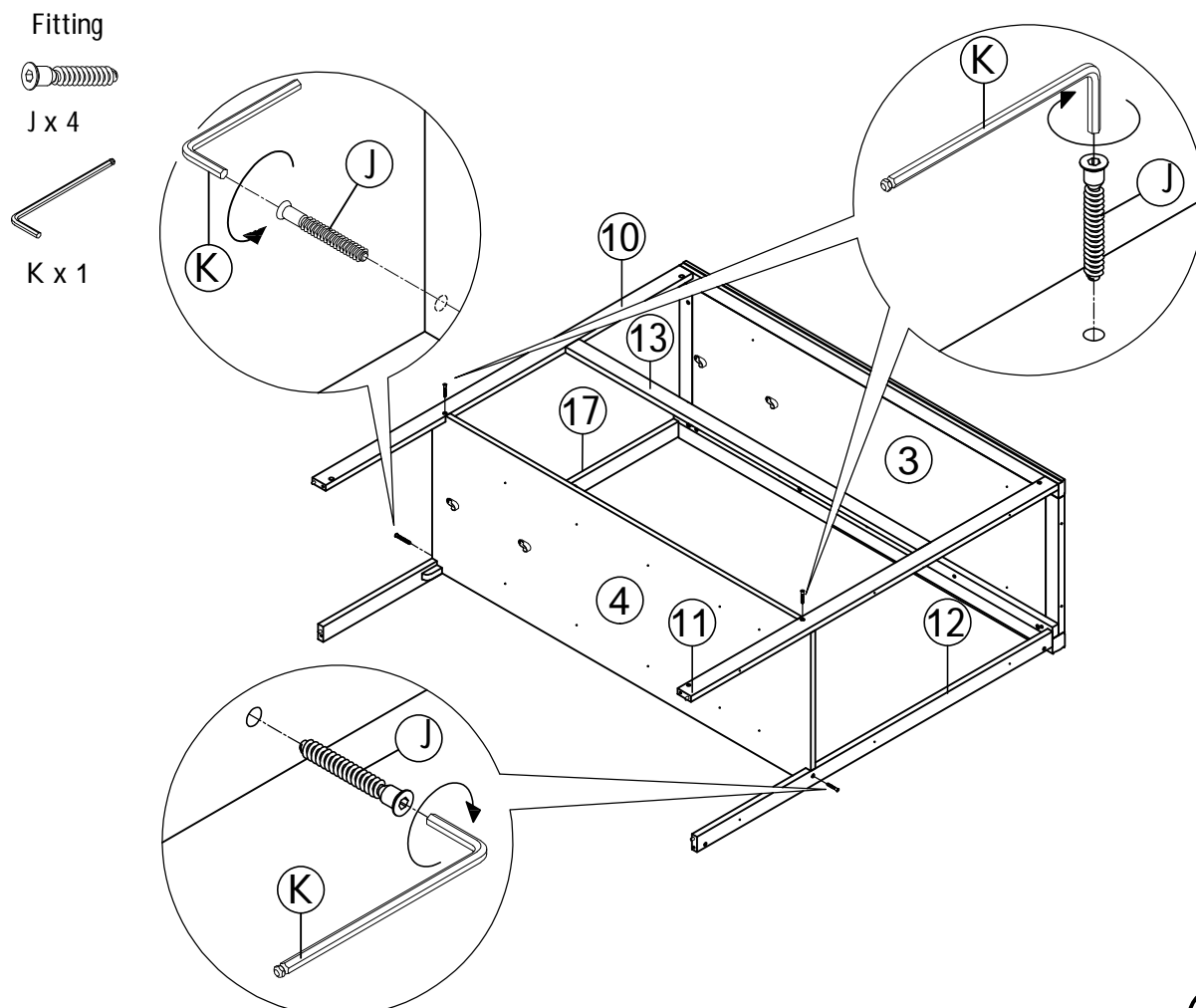


Step By Step Assembly Instructions

- Step 6** 6.1: Insert 2x dowels (V) into the pre-drilled holes on partition (4).
6.2: Attach 4x hanger rail support (C) onto partition (4) using 8x varianta screws (D) as shown. Use a pozy screwdriver to turn fittings (D) clockwise to fix.



- Step 7** : Attach patition (4) to rail (10), (11), (12) and (17) secure part (4) to parts (10), (11), (12) and (17) using 4x confirmat screws (J) as show. Use allen key (K) to turn fittings (J) clockwise to fix.

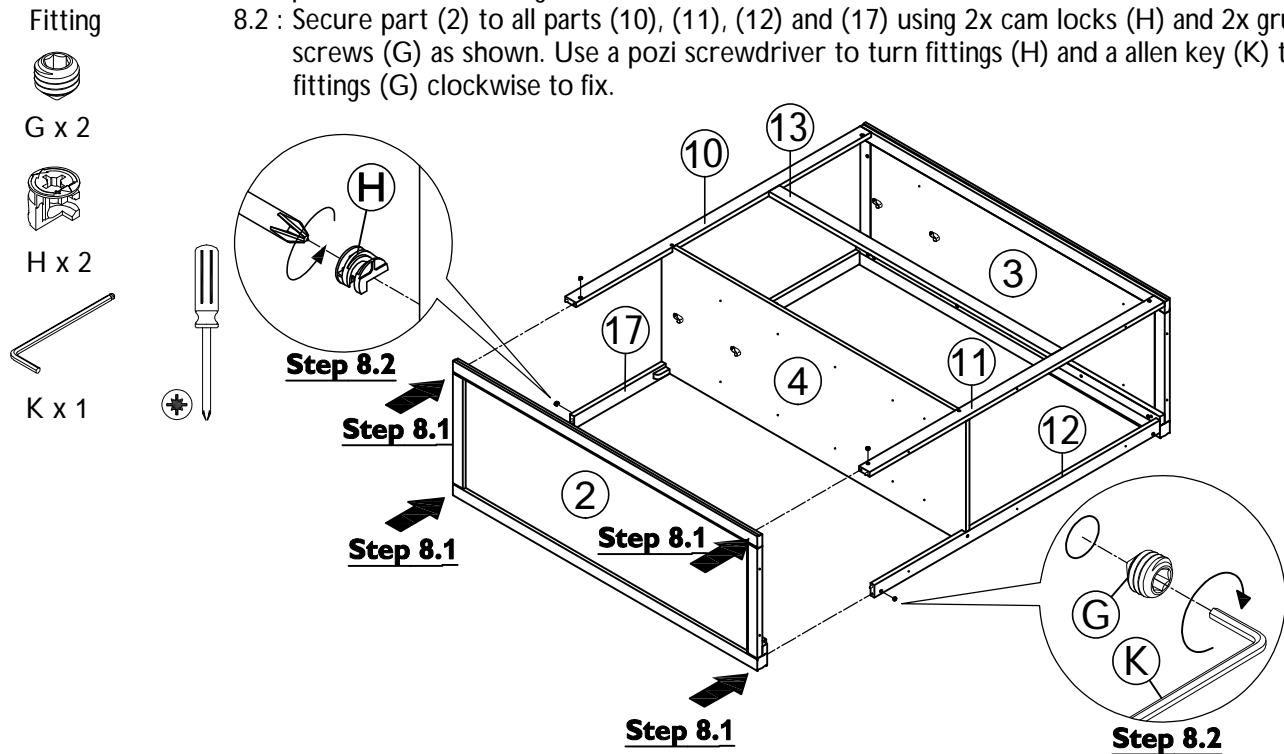


Step By Step Assembly Instructions

Step 8

8.1 : Attach right side panel (2) onto the structure assembled in Step 7 as shown. Ensure cam screws (A), steel dowels (B) and dowels (E) are aligned correctly with the holes of mating parts before attaching.

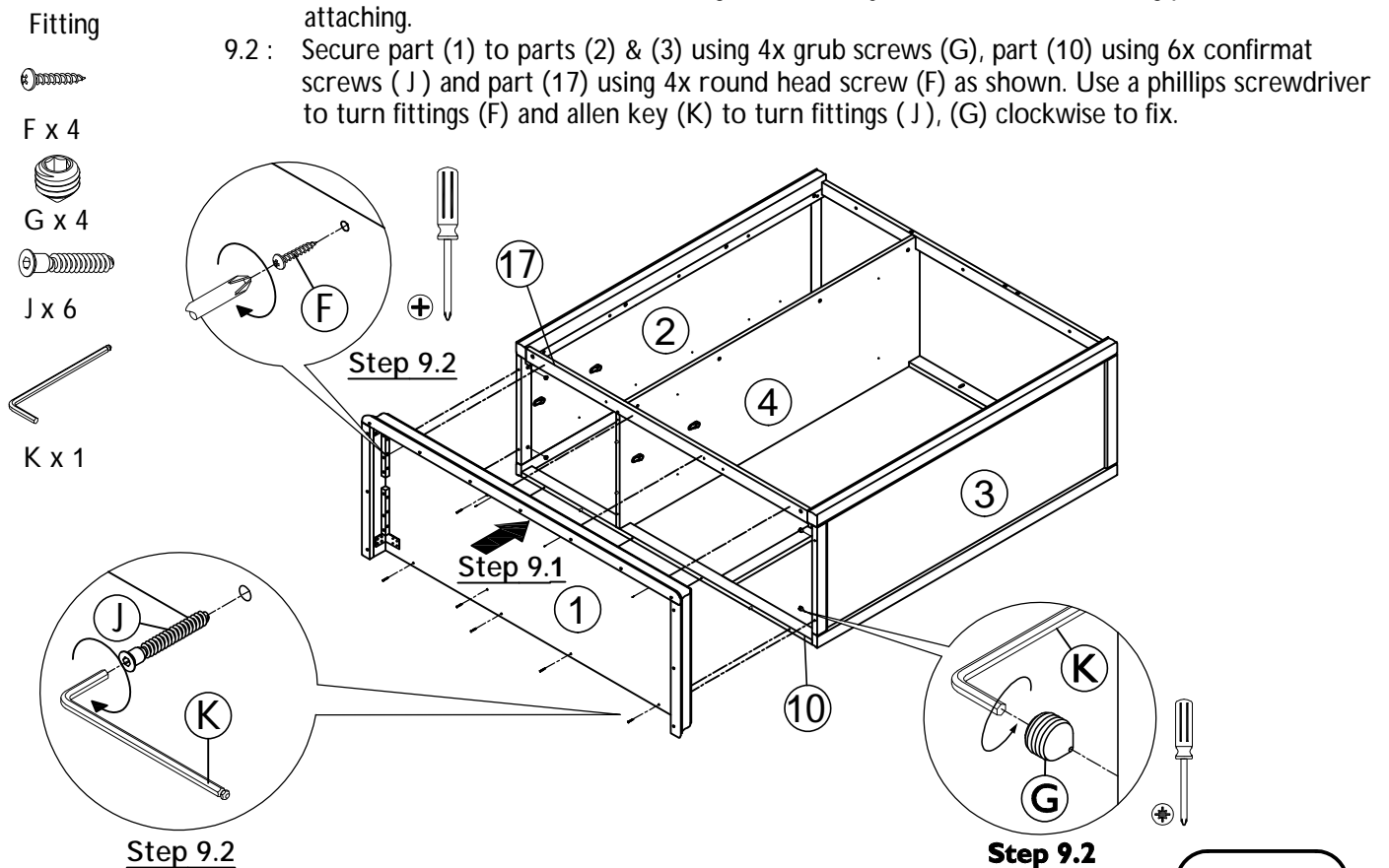
8.2 : Secure part (2) to all parts (10), (11), (12) and (17) using 2x cam locks (H) and 2x grub screws (G) as shown. Use a pozi screwdriver to turn fittings (H) and a allen key (K) to turn fittings (G) clockwise to fix.



Step 9

9.1 : Attach top panel (1) onto the structure assembled in Step 8 as shown. Ensure steel dowels (B) & dowels (E), dowels (V) are aligned correctly with the holes of mating parts before attaching.

9.2 : Secure part (1) to parts (2) & (3) using 4x grub screws (G), part (10) using 6x confirmat screws (J) and part (17) using 4x round head screw (F) as shown. Use a phillips screwdriver to turn fittings (F) and allen key (K) to turn fittings (J), (G) clockwise to fix.



Step By Step Assembly Instructions

Step 10

10.1 : Attach back panels (14), (15) & (16) onto back side of the unit using 60x round head screws (L) as shown. Use a screwdriver to turn fittings (L) clockwise to fix.

10.2 : Secure vertical gap using 9x round head screws (L) with 9x flat washers (M) as shown. Use a screwdriver to turn fittings (L) clockwise to fix.

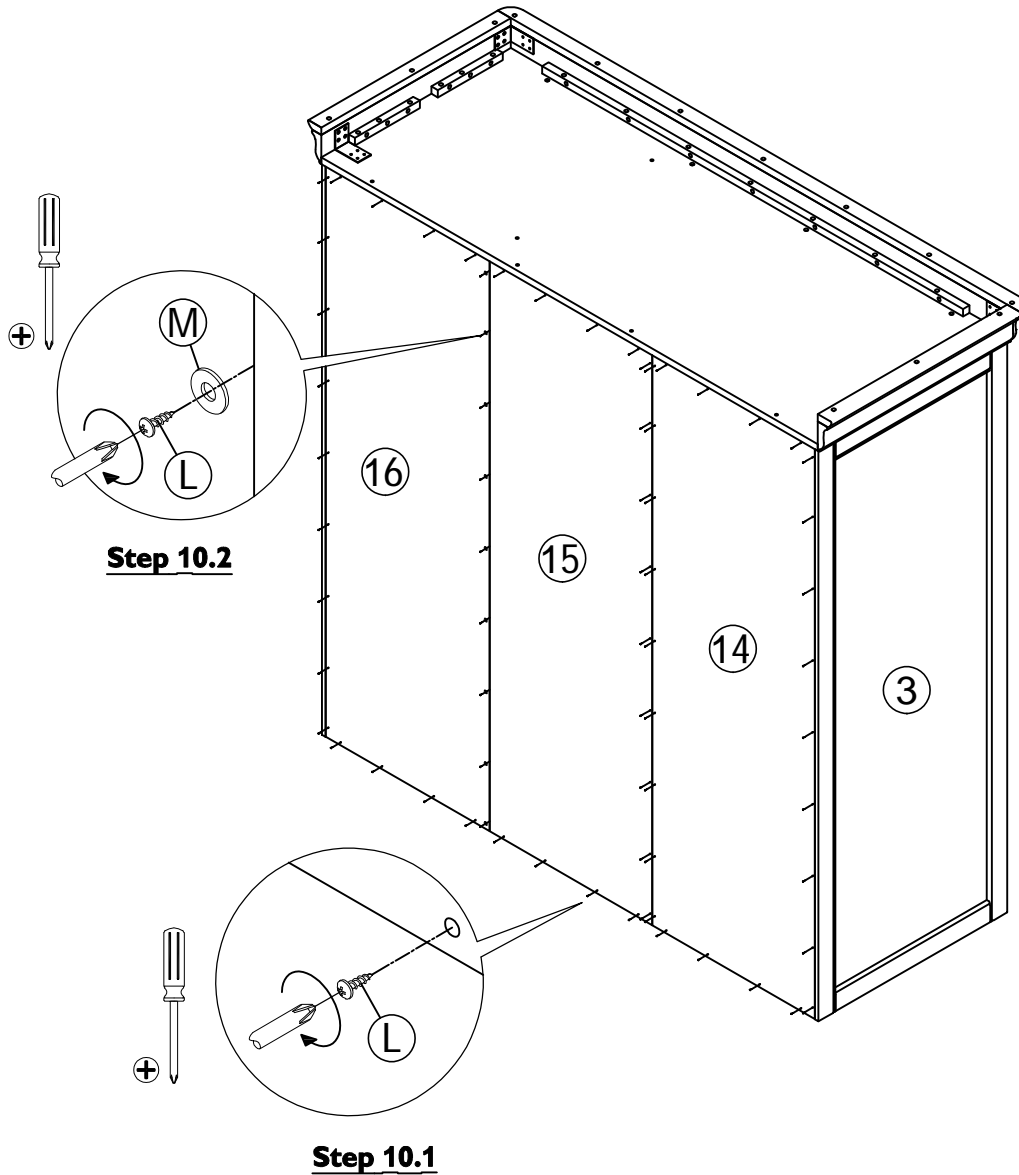
Fitting



L x 69

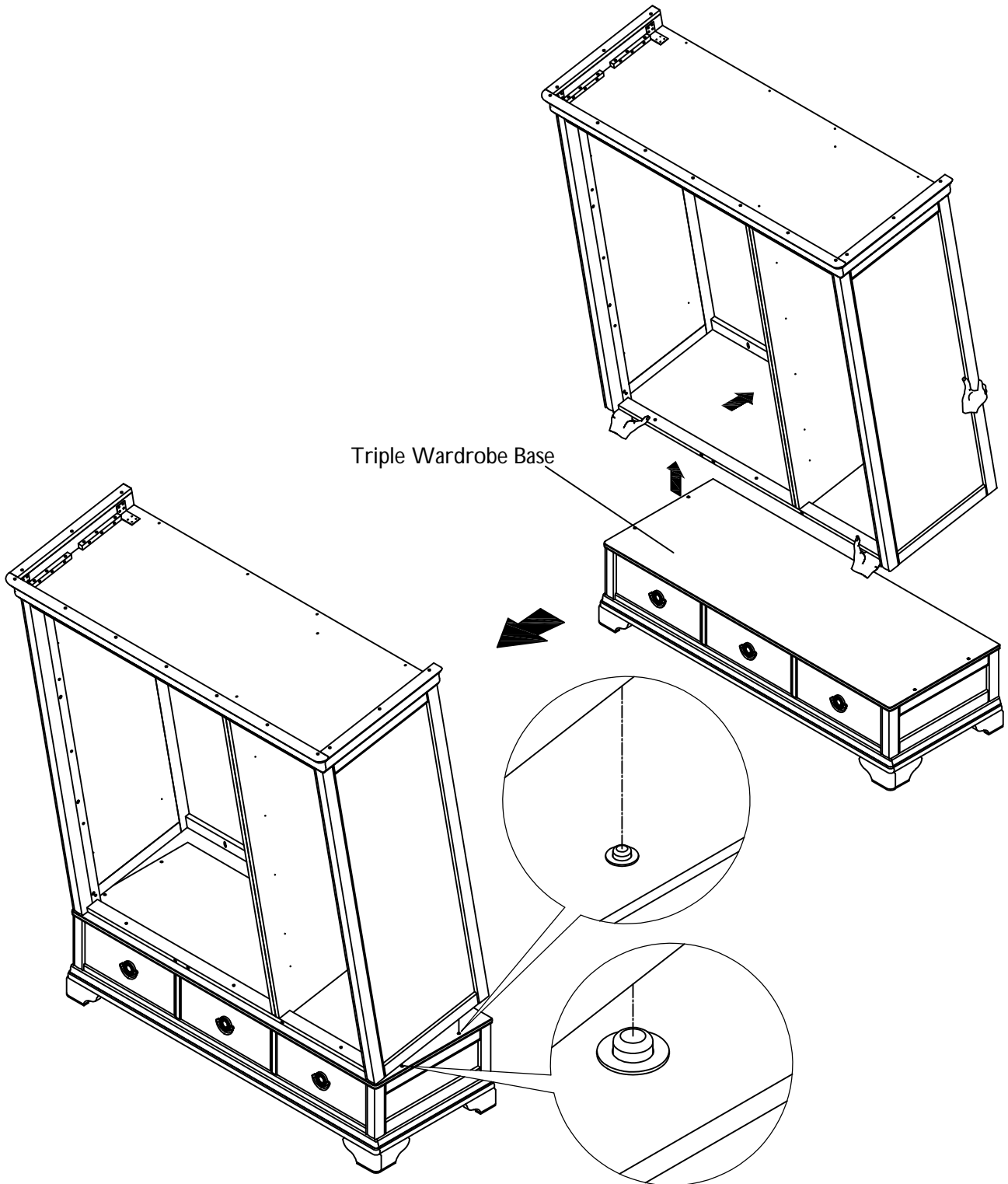


M x 9



Step By Step Assembly Instructions

- Step 11** **Note:** This product is heavy, it should be assembled as near as possible to the point of use.
- : With help of assistants, carefully lift the triple wardrobe top upwards over the triple wardrobe base.
 - : Carefully lower triple wardrobe top onto triple wardrobe base. Ensure the holes under triple wardrobe top are aligned correctly with the mating plastic dowels on triple wardrobe base to avoid damage as shown.



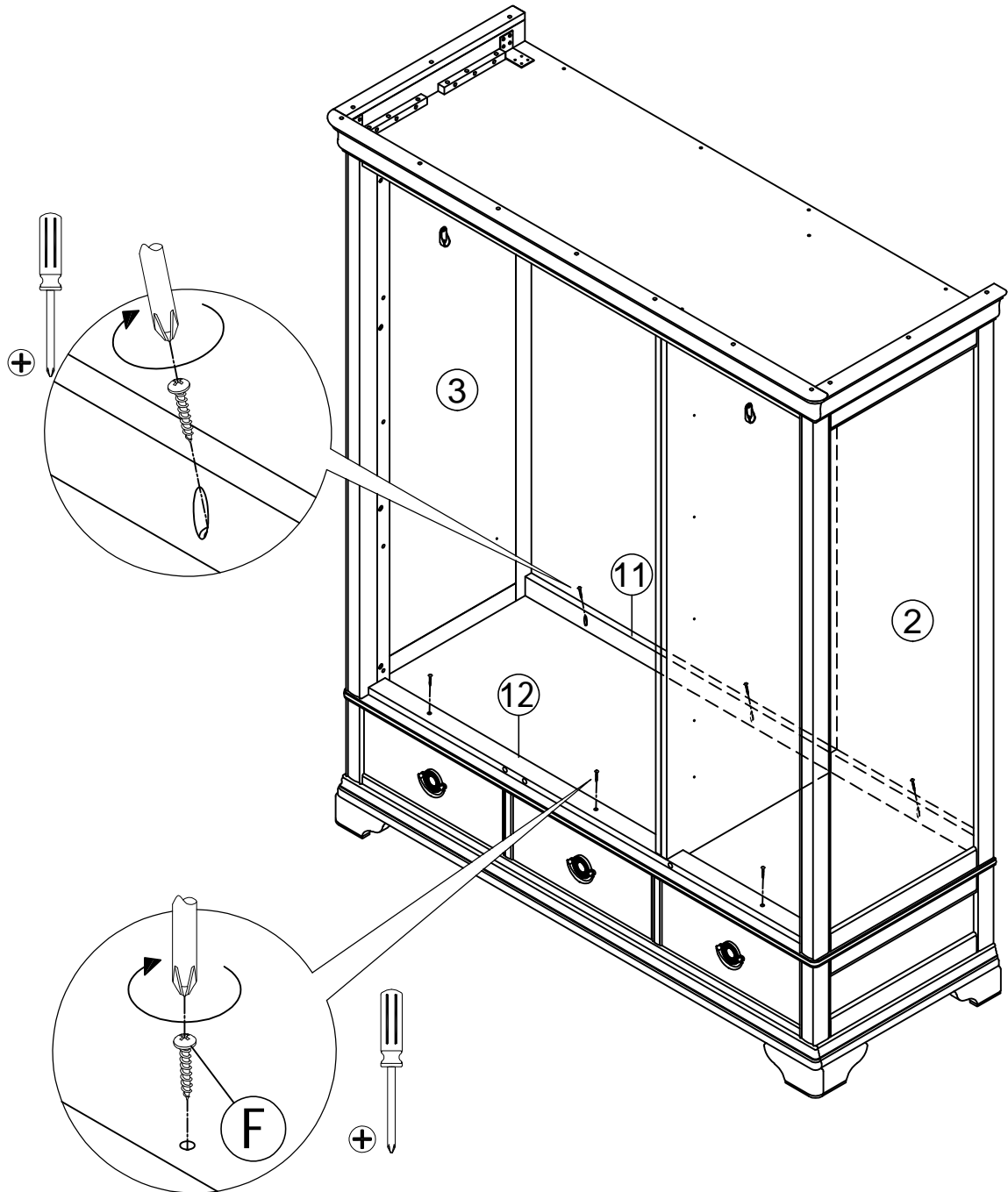
Step By Step Assembly Instructions

Step 12: Secure triple wardrobe top to triple wardrobe base by screwing 6x round head screws (F) into the pre-drilled holes on bottom front and back rails (12) & (11) as shown. Use a phillip screwdriver to turn fittings (F) clockwise to fix.

Fitting



F x 6



Step By Step Assembly Instructions

Step 13

Fitting



N x 20

13.1 : Insert 10x wood shelf supports (N) into the pre-drilled holes in left side panel (3) and partition (4) of the unit as shown.

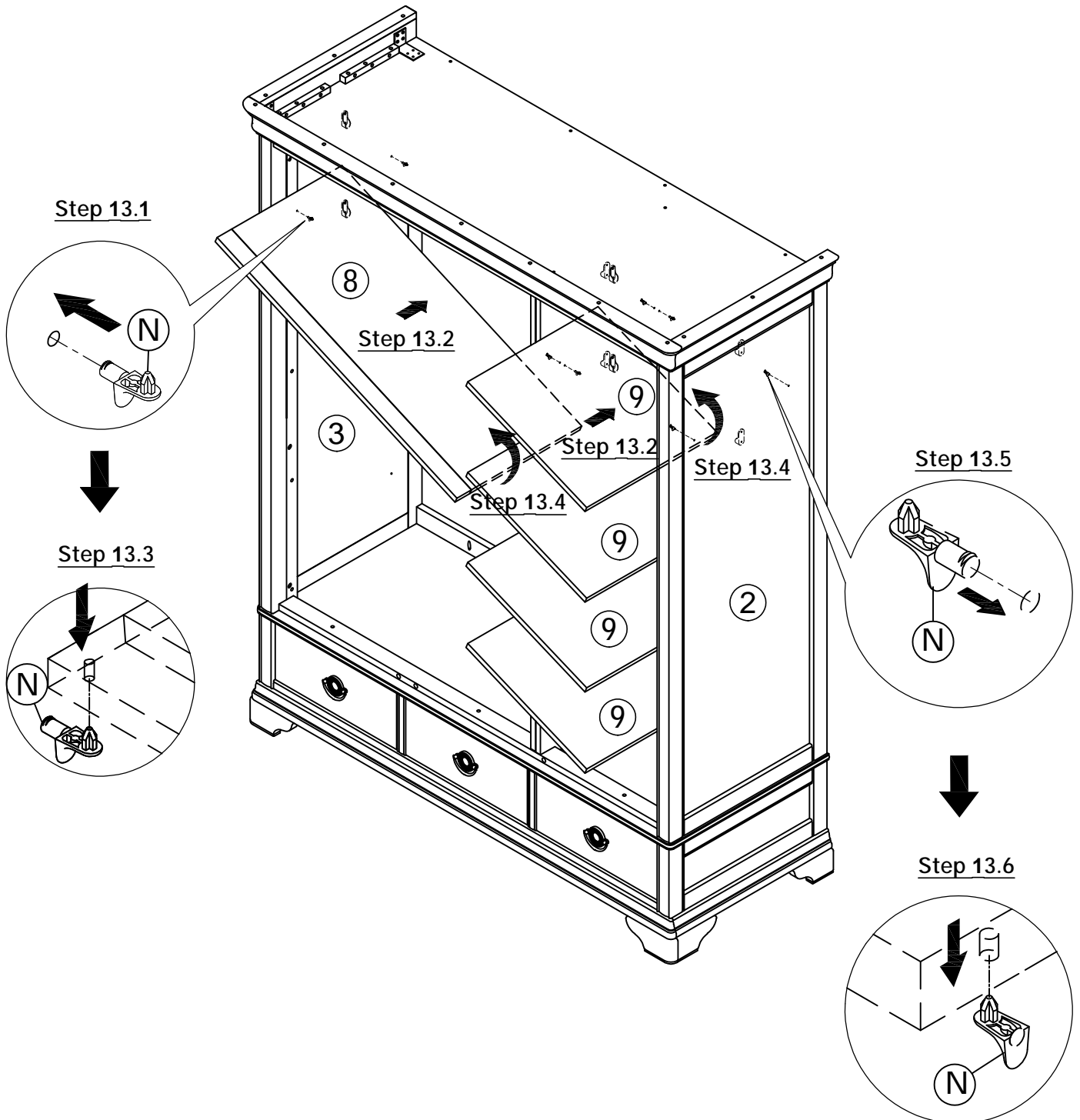
13.2 : Tilt removable shelf (8) & (9) to a suitable angle as shown in the picture so as to slide it in.

13.3 : Slide removable shelf (8) & (9) into the unit. Ensure the holes on removable shelf (8) & (9) are facing down, then place them onto the pins of wood shelf supports (N) as shown.

13.4 : Lift up right hand side of removable shelf (8) & (9).

13.5 : Insert 10x wood shelf supports (N) into the pre-drilled holes in right side panel (2) and partition (4) of the unit as shown.

13.6 : Lower removable shelf (8) & (9) onto the pins of wood shelf supports (N) as shown.



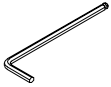
Step By Step Assembly Instructions

Step 14 : Attach door (5) to left side panel (3) by screwing 4x bolts (P) into inset fittings that are located on part (3) as shown. Ensure the holes on door are aligned correctly with the mating spring pin on left side panel (3) before attaching. Use allen key (K) to turn fittings (P) clockwise to fix.

Fitting

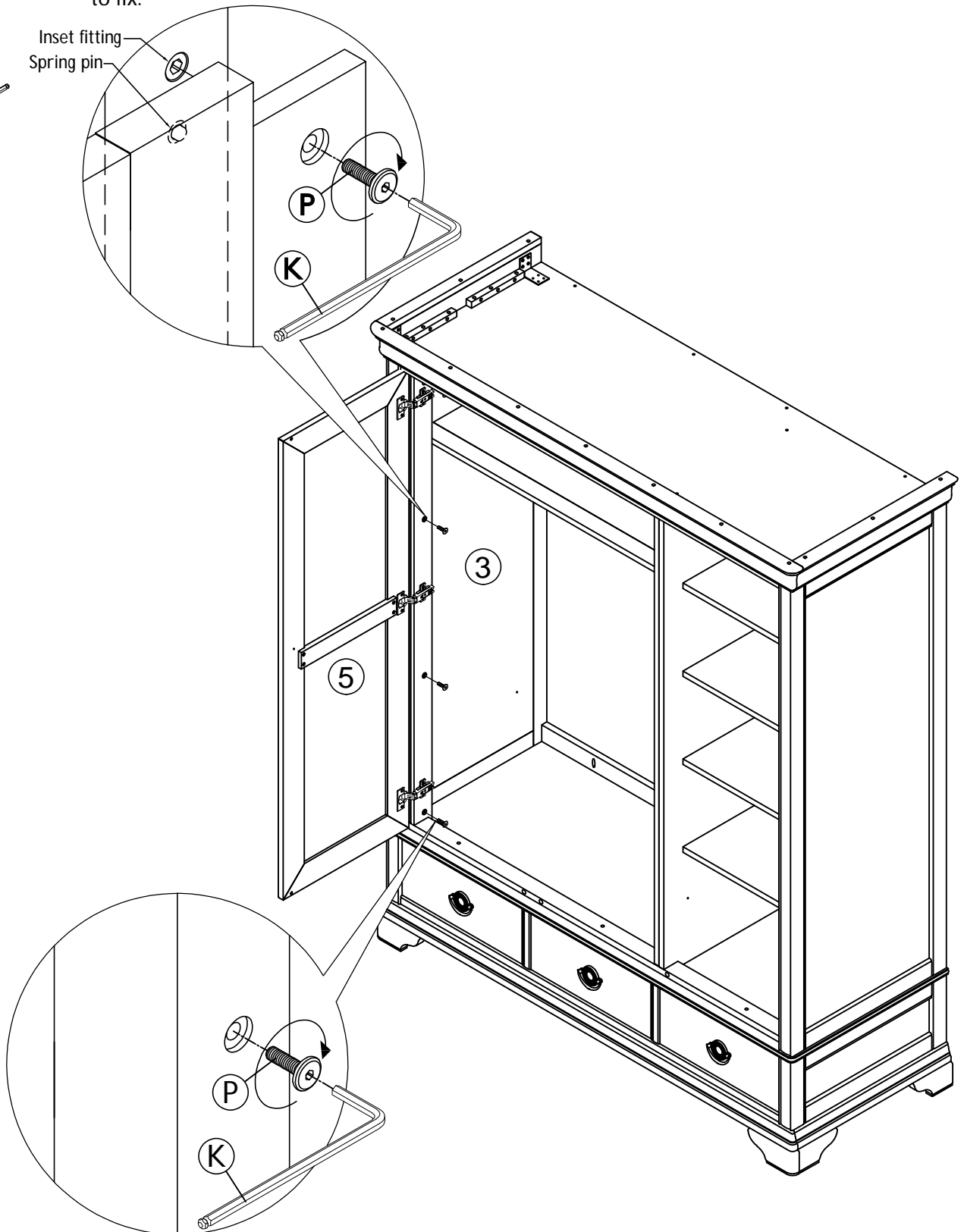


P x 4



K x 1

Inset fitting
Spring pin



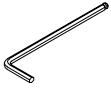
Step By Step Assembly Instructions

Step 15 : Attach doors (6) & (7) to right side panel (2) and partition (4) by screwing 8x bolts (P) into inset fittings that are located on parts (2), (4) as shown. Ensure the holes on doors are aligned correctly with the mating spring pins on parts (2), (4) before attaching. Use allen key (K) to turn fittings (P) clockwise to fix.

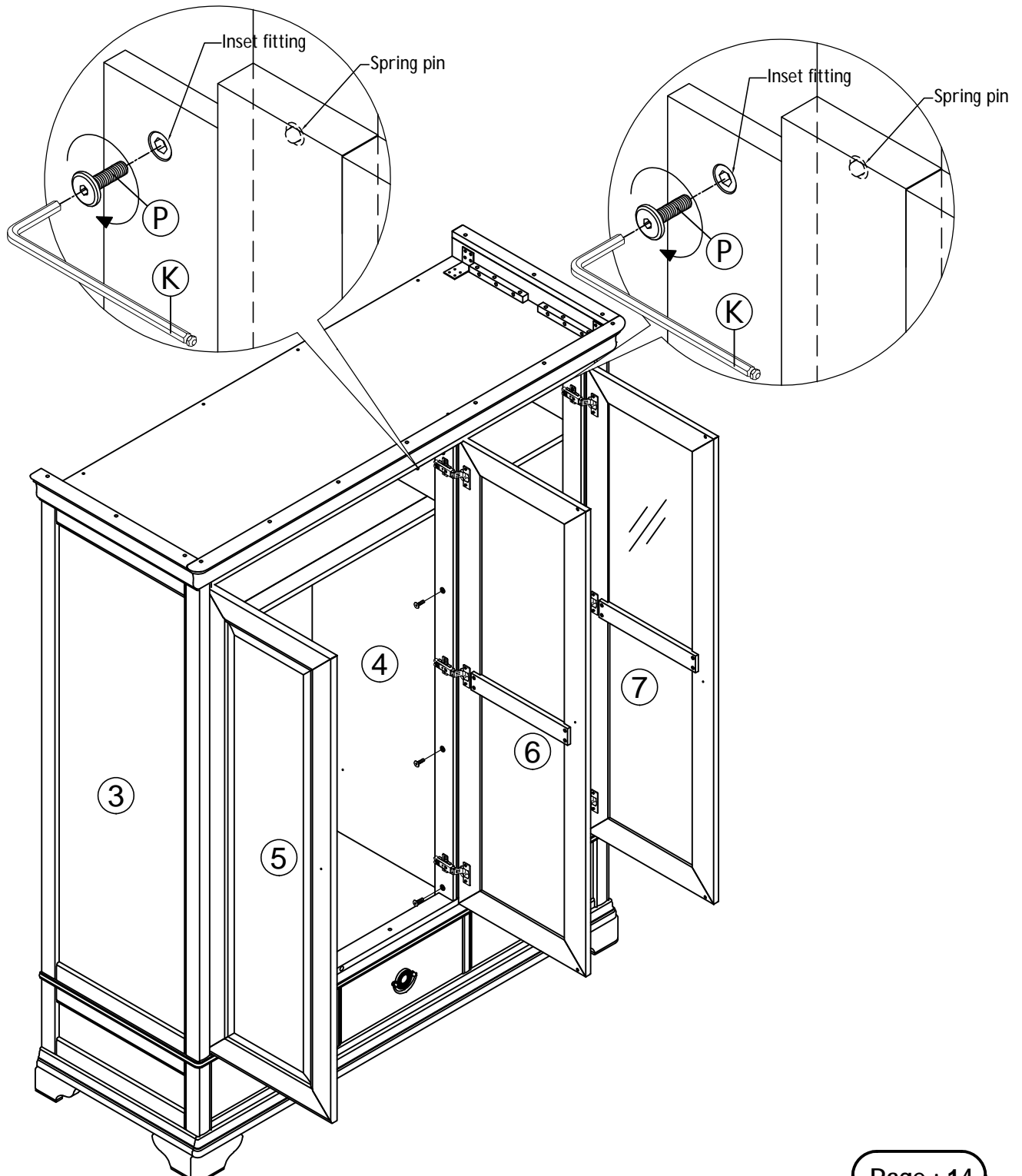
Fitting



P x 8



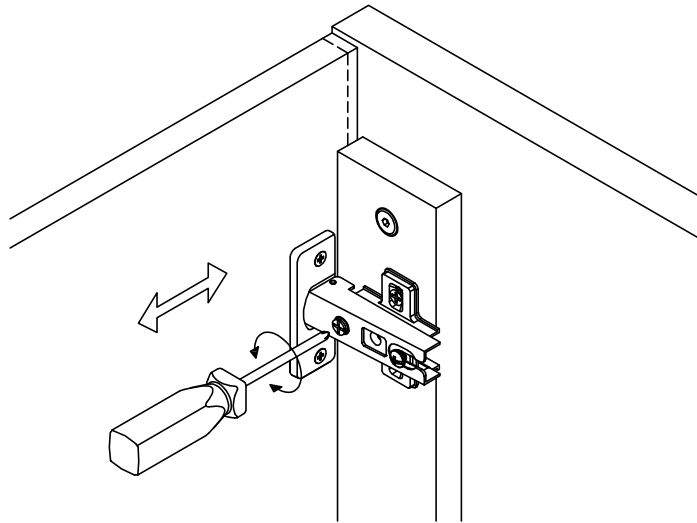
K x 1



HINGE ADJUSTMENT INSTRUCTIONS

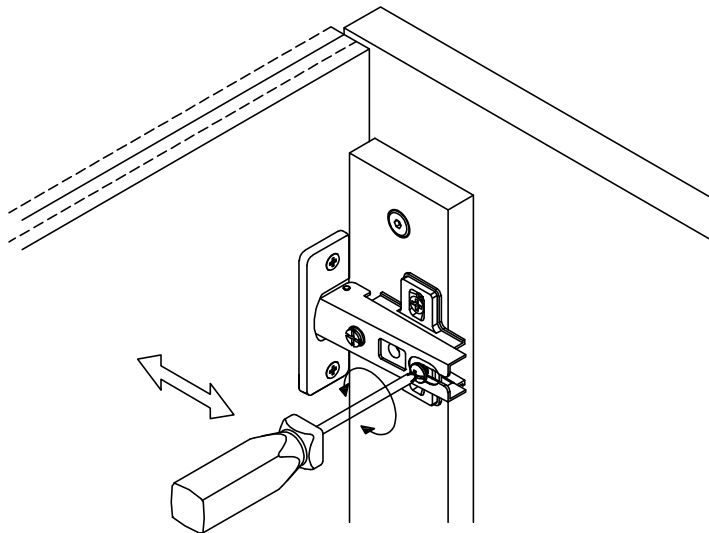
LATERAL ADJUSTMENT

by screw adjustment.



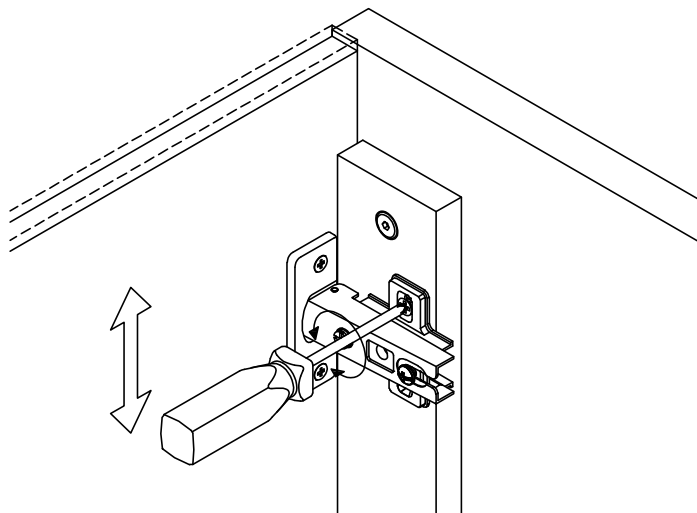
FRONT-TO-BACK

by slackening and retightening the hinge-arm mounting screw.



VERTICAL ADJUSTMENT

via slots on mounting plate by slackening and retightening the screws on mounting plate

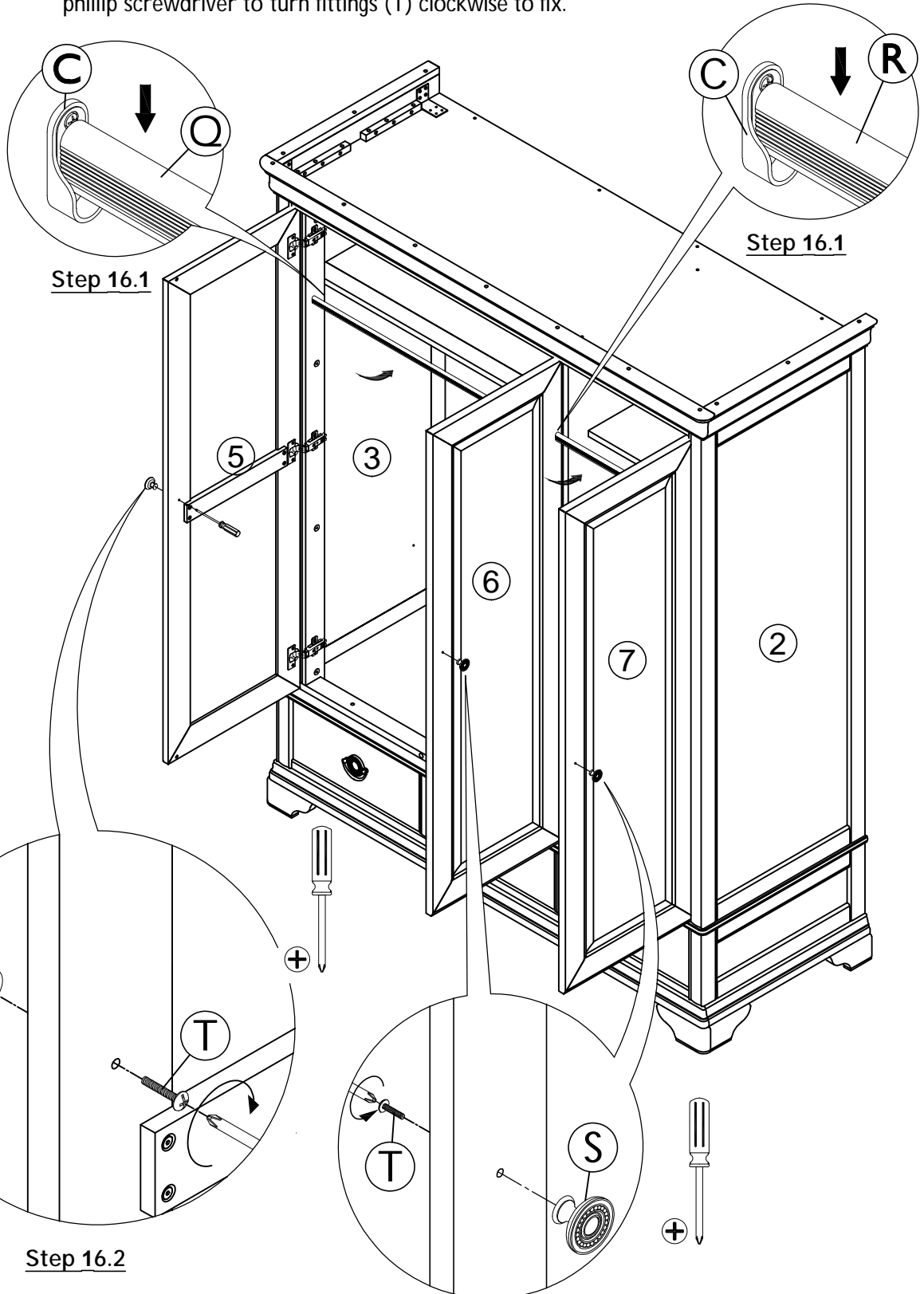


Step 16

16.1 : Place 1x long hanger rail (Q) onto hanger rail supports (C) on left side panel (3) and partition (4) and 1x short hanger rail (R) onto hanger rail supports (C) on right side panel (2) and partition (4) as shown.

Fitting

16.2 : Attach 3x handles (S) to doors (5), (6), (7) using 3x round head bolts (T) as shown. Use a phillip screwdriver to turn fittings (T) clockwise to fix.

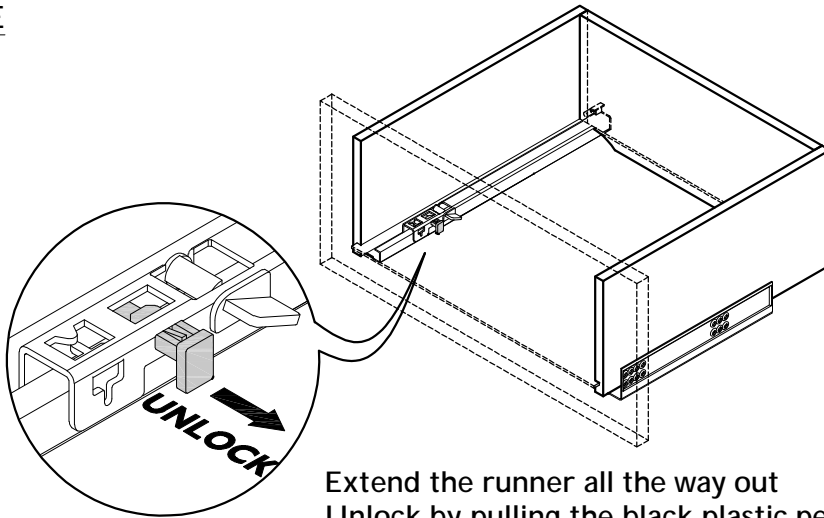


Step 16.2

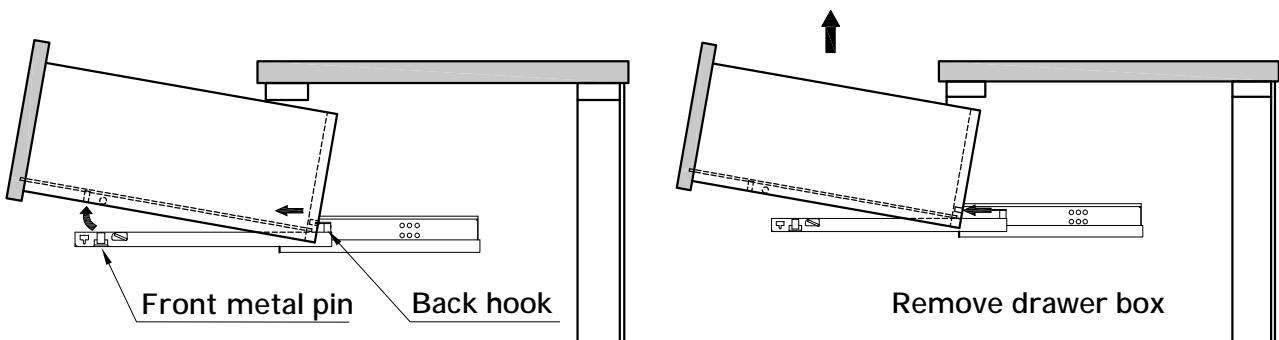
Step 16.2

TANDEM RUNNER ADJUSTMENT INSTRUCTION

REMOVE

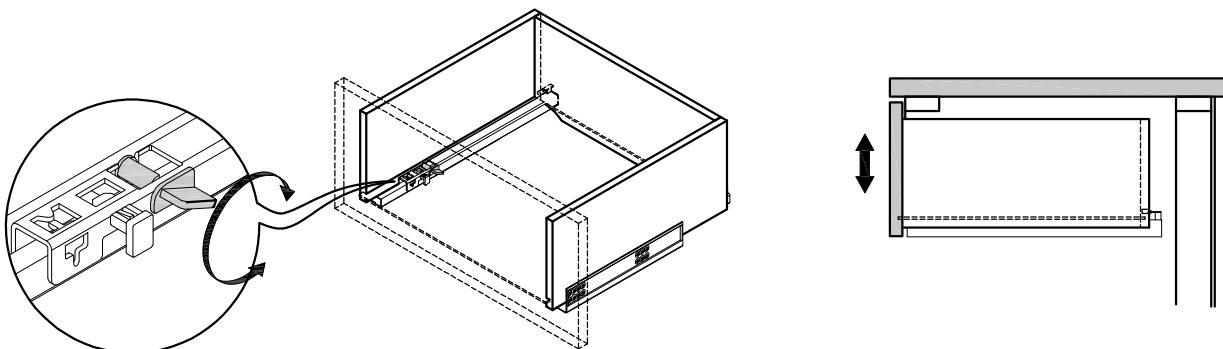


Extend the runner all the way out
Unlock by pulling the black plastic peg on the runner out



Hold both runners with both of your hands.
Carefully lift the drawer front up from the front metal pin, then slide forward to remove from back hooks.

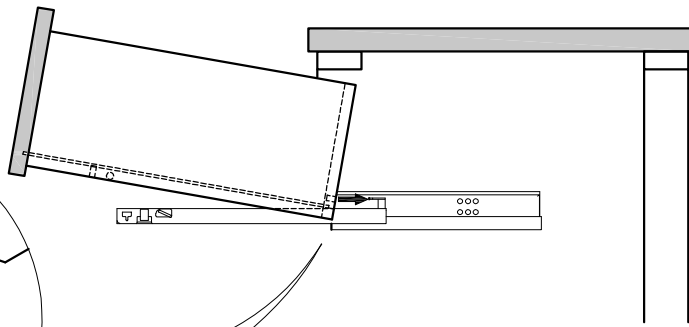
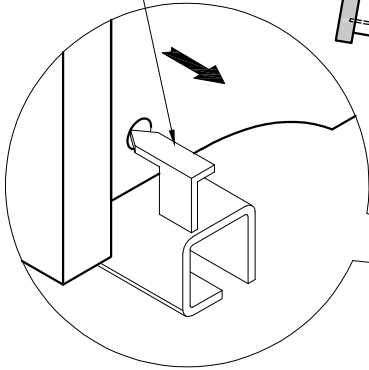
VERTICAL ADJUSTMENT ($\pm 2.5\text{mm}$)



TANDEM RUNNER ADJUSTMENT INSTRUCTION

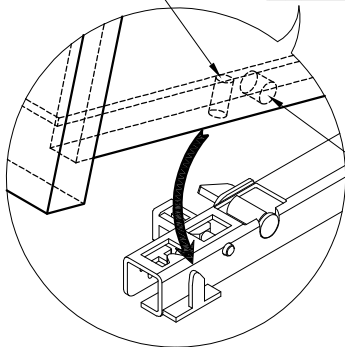
ASSEMBLE

Back hook

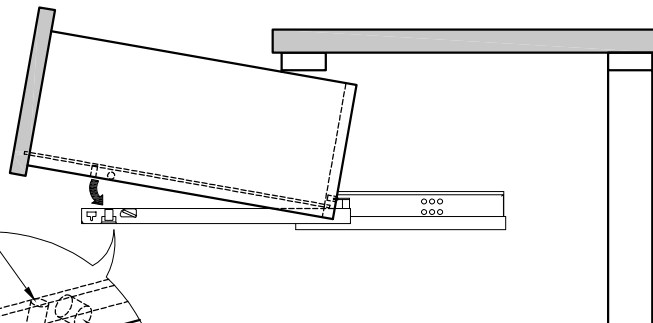


Extend the runner all the way out. Put the drawer onto them then hold both the runners with your hands, lift the drawer up with your thumbs and push to hook the drawer at the end of the runner.

Hole/ Front metal pin

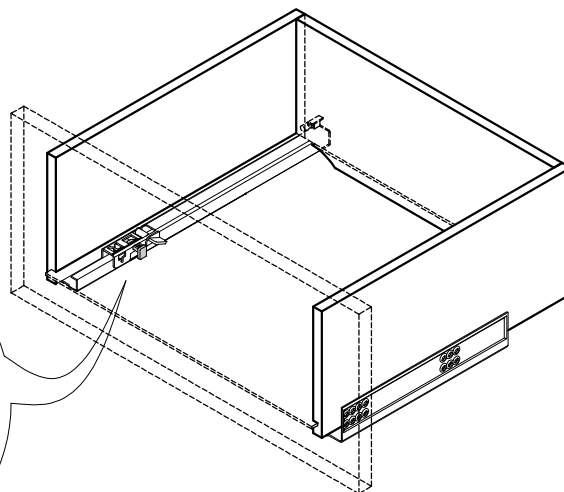
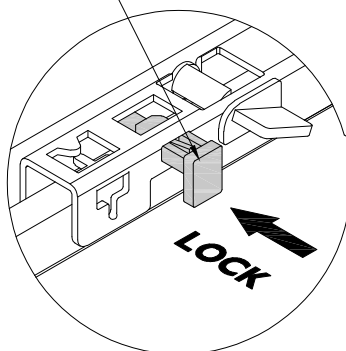


Hole/ Plastic peg



Once the back hook is connected gently lower the drawer onto the front metal pin.

Black plastic peg



Lock it by pushing the black plastic peg on the runner in.

GENERAL CARE FOR FURNITURE

(Please keep these guidelines for future reference)

Furniture containing primarily wood:

Wood displays different grain patterns depending on which way they are cut - for example, the 'medullary ray' which can appear on oak furniture is a mark of good quality timber - these are just characteristics of the natural beauty of the wood. Some furniture is also deliberately aged and rustic. Wood veneers also allow distinctive patterns to be created on some surfaces, such as table tops and drawer fronts by the way slivers are arranged. All timber and veneer surfaces will change colour and mellow over time. New furniture will initially vary in shade from items that have been previously purchased.

- 1. Do not use abrasive cleaner or harsh detergent as this can damage the surface of the furniture**
 - Do not use abrasive detergents or powders. Dust with a clean, lint free cloth.
 - To remove normal stains or dirt use a mild detergent or non-abrasive cleaner diluted with warm water. (Immediately dry completely with clean soft cloth).
 - Frequent dusting will remove abrasive build up, which can damage a finish over time.
 - Spray polishes are best avoided as they contain silicones which may spoil the furniture's surface when building up over time.
- 2. Do not expose your furniture to direct sunlight.**
 - Excessive exposure to sunlight can cause fading of your furniture.
 - Ornaments placed on the furniture surface should be periodically moved to avoid shading.

Extendable table warning:
Extendable dining tables should be left extended for the first few months to avoid an uneven appearance.
- 3. Never place household heating appliances or hot objects directly on any furniture surface.**
 - Always place a heat resistant coaster between your furniture and a hot object to protect your furniture.
- 4. Do not place your furniture near a heater, heat, dampness or moisture generating appliance.**
 - Extreme temperature and humidity changes can cause cracking and splitting.
 - Some movement may be expected depending on environmental conditions.
 - If the air is dry, some cracks may appear due to shrinkage.
 - Our furniture will endure most temperatures in the home but it is best to avoid placing furniture next to heat sources such as radiators or fires.
- 5. Do not place rubber, cork, vinyl or plastic materials on the wood finish as chemicals within may react with the finish if left in contact for an extended period of time.**
- 6. Do not expose your furniture to any liquids.**
 - All liquids should be wiped up immediately with a soft, slightly damp cloth in the direction of the wood grain. If sticky liquid residues do occur, they may be removed with a dilute solution of warm soapy water followed by a clean, damp sponge. The area should then be wiped immediately with a clean, soft white cloth until completely dry.
 - Nail polish remover, hairspray, perfume, potpourri & any other products that contains solvents can damage surface; wood & upholstery finishes.
- 7. Please do not strike, hit or stand on furniture.**
 - Furniture is designed and built for its intended purpose.
 - When writing, use a mat to protect the table or desk surface.
- 8. When moving furniture, please lift, do not drag. Protect the surface and corners from knocks & scratches.**
 - Take care when handling. Obtain assistance as necessary.
 - Once in place make sure it stands level to ensure smooth opening of the doors and running of the drawers.

Chair warning:
Never lean back and tilt the chair. Ensure the chair is always placed firmly on the ground.
- 9. Furniture containing metal.**
 - **NEVER** use an abrasive cleaner or scourer as this will scratch the finish - use a damp cloth with either washing up liquid or soft soap.
 - For fingerprints and smears use soap and warm water. Carefully sponge with a solution of mild soap and water. Rinse thoroughly afterwards with warm water. Wipe dry with a clean soft cloth. **Cleaning with chloride-containing detergents must be avoided.**
- 10. Furniture containing glass.**
 - Do not use abrasive cleaners to clean glass surface, use a damp cloth with either washing up liquid or soft soap.
 - Do not place a heavy object on the glass surface. Do not strike the glass with a sharp object.
 - Do not place felt with glue, cork or plastic dots between glass & finished surface since these items can react with a finish.
- 11. Furniture containing High Pressure Laminate.**
 - This material is both durable and strong and therefore more resistant to scratches, impact, and abrasion. The surface is resistant to water.
- 12. Furniture containing upholstery**
 - The upholstery should not be exposed for long periods to direct sunlight as this may cause fading and deterioration of the cover material.
 - Protect from exposure to sources of heat such as radiators or open flames.
 - It is recommended to give upholstery a frequent vacuuming or light brushing.
 - It is very important to rub very gently to avoid colour change. This proper cleaning will prevent build-up of dust, soil and oils which can be damaging to the cover material.
 - In the event of spillage it is imperative to act quickly. Carefully soak up any excess liquid, ideally using the edge of a white paper towel, then dab gently with a fresh towel taking care to avoid soaking in or spreading of the remaining liquid.
- 13. Any assembly required should follow the sequence of steps in the Assembly Instruction Sheet.**
 - Please retain assembly instructions and hardware for future reference and use.
 - Periodically check all fixings to ensure none have come loose. Re-tighten when necessary.
 - Furniture can be dangerous if incorrectly assembled. Assembly should be carried out by a competent person(s). No liability will be accepted from damage or injury caused by incorrectly installed or assembled furniture.
- 14. If the furniture is dented or scratched at any time during use, this can usually be repaired by a qualified technician: Please contact your retailer.**

WITH PROPER CARE, THIS FURNITURE WILL GIVE YOU MANY YEARS OF USE

Page : 19