



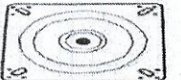

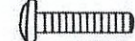

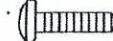



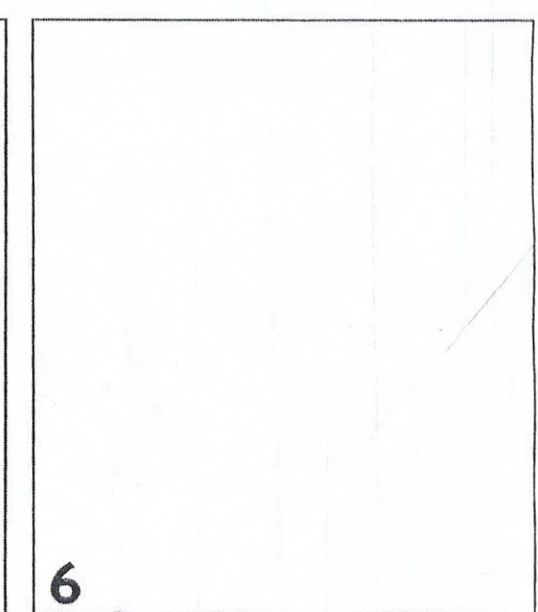
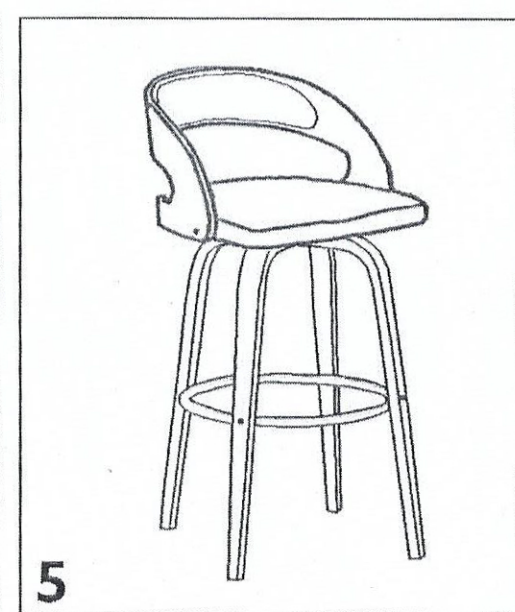
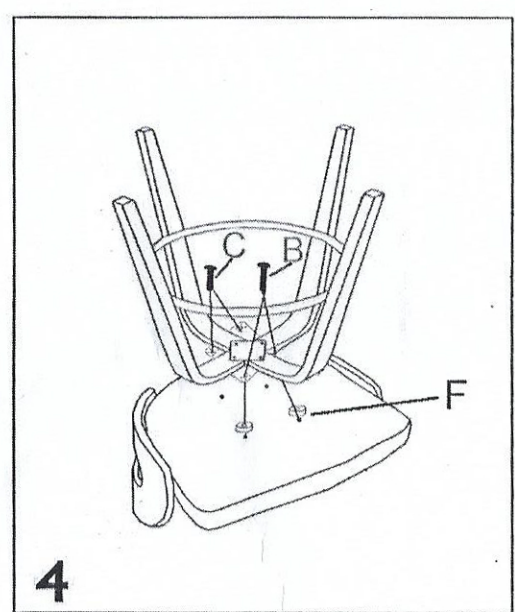
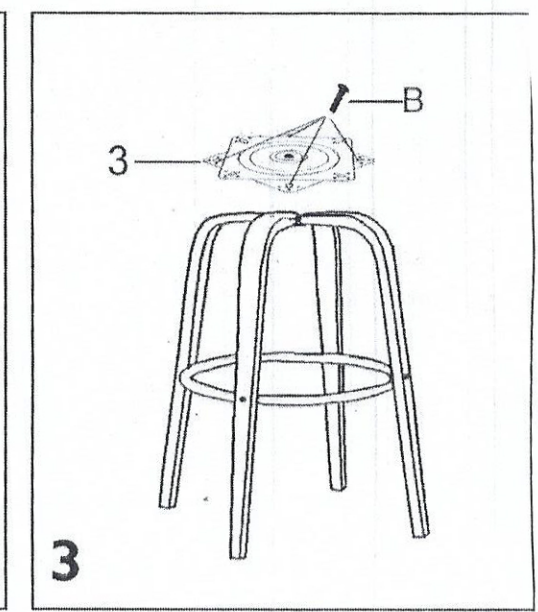
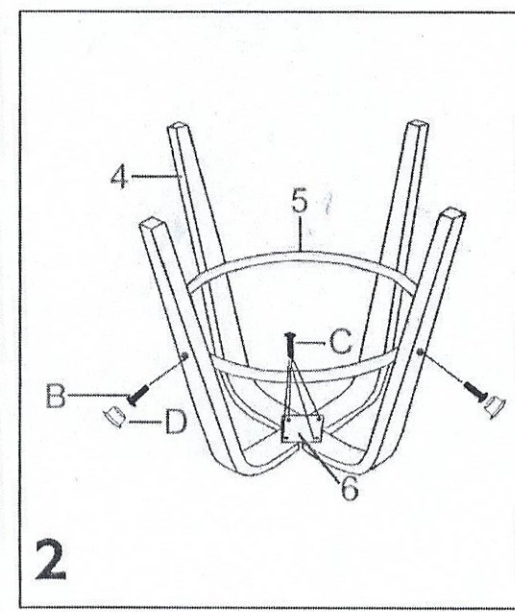
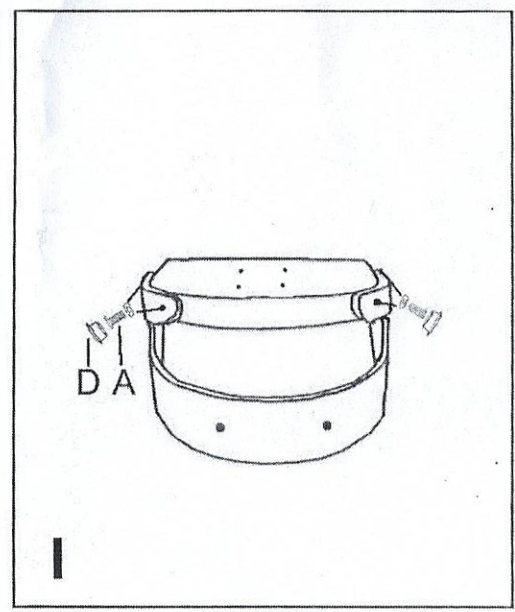


1x1 	6x1 
2x1 	Fx2  20x8x5
3x1 	Ax4 + 1EXT  M6x30 Bx10 + 1EXT  M6x25
4x4 	Cx6 + 1EXT  M6x20 Dx8 
5x1 	Gx1 



Noted: On step2 lightly tighten the screw C, on step3 tighten all screw.