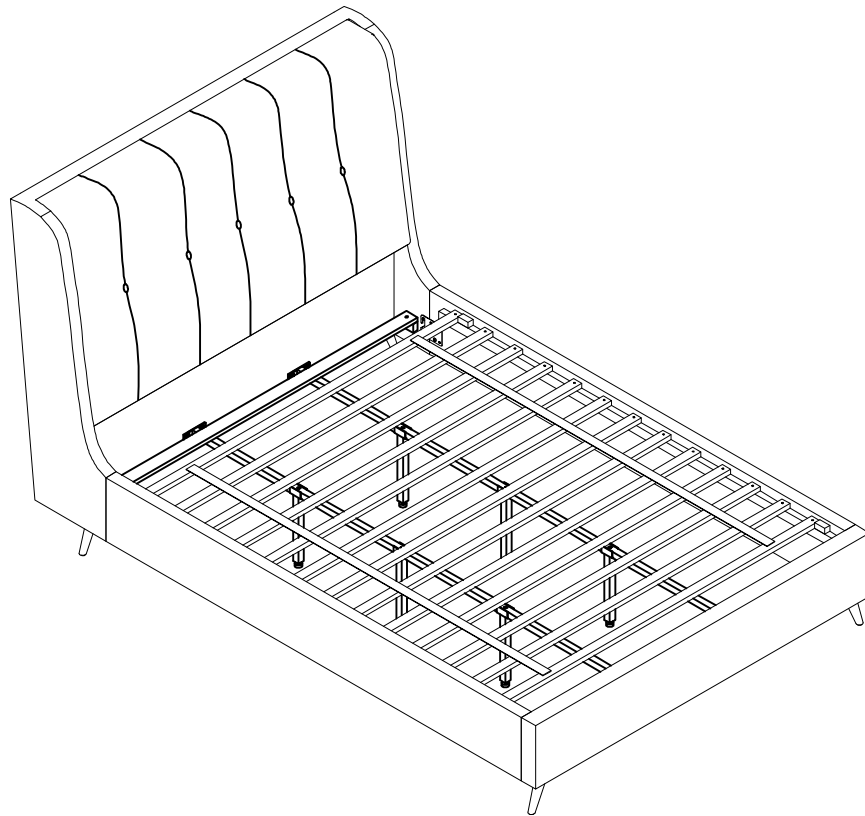

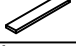

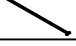









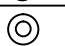
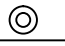




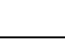
ASSEMBLY INSTRUCTION

Item No: Y9296 K EMBRACE

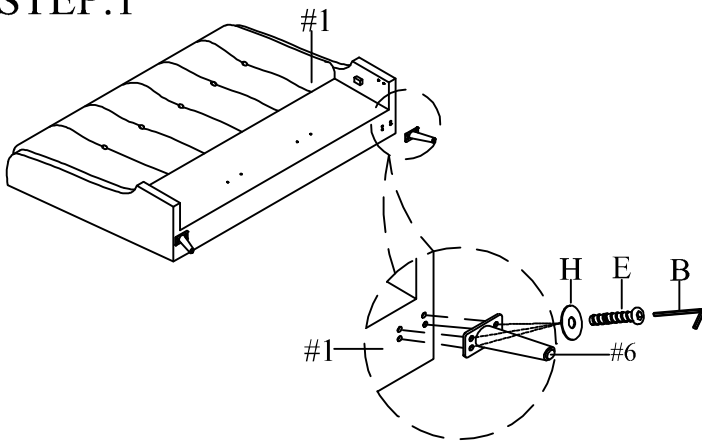


Do not tighten bolts until completely assembled.

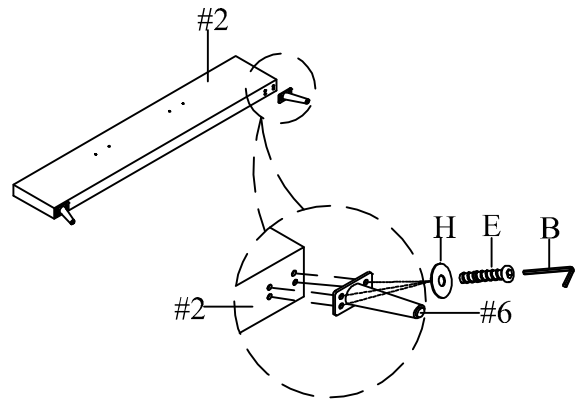
| PARTS IDENTIFICATION | | | |
|----------------------|---|------------------|----------|
| NO | Part | Sketch | Quantity |
| #1 |  | Headboard | 1PC |
| #2 |  | Footboard | 1PC |
| #3 |  | Side Rail | 2PCS |
| #4 |  | Center Bar | 2PCS |
| #5 |  | Slats For Daybed | 1PC |
| #6 |  | LEG | 4PCS |

| HARDWARE LIST | | | |
|---------------|---|------------------------|----------|
| NO | Shape | Specification | Quantity |
| A |  | Allen Wrench 5mm | 1PC |
| B |  | Allen Wrench 4mm | 1PC |
| C |  | Bolt 5/16"x2" | 10PCS |
| D |  | Bolt 5/16"x1-1/4" | 16PCS |
| E |  | Bolt 1/4"x1" | 16PCS |
| F |  | Lock Washer 5/16" | 16PCS |
| G |  | Flat Washer 5/16"x22MM | 26PCS |
| H |  | Flat Washer 1/4"x16MM | 16PCS |
| I |  | Screw M8*1-1/4" | 30PCS |
| J |  | Screw M10*1-1/2" | 8PCS |
| K |  | Supporting foot | 6PCS |
| L |  | CONNECTION STRAP | 2PCS |

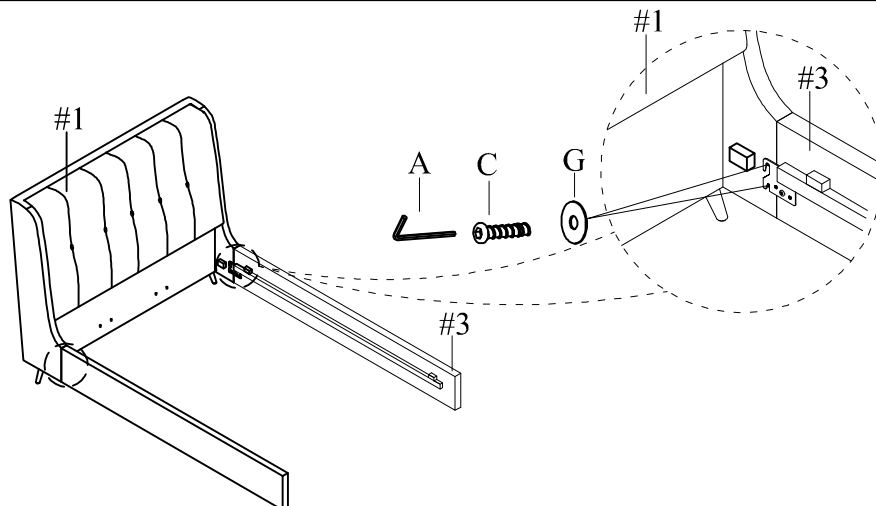
STEP:1



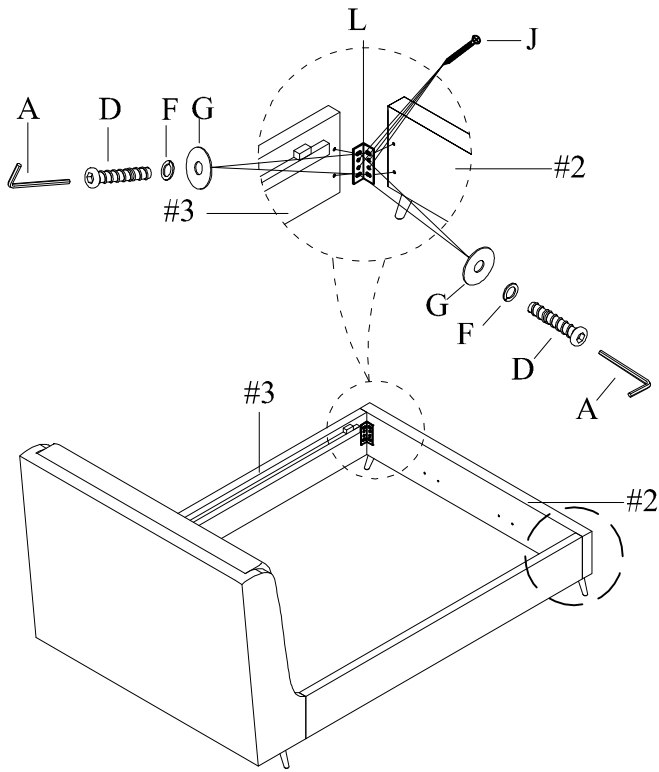
STEP:2



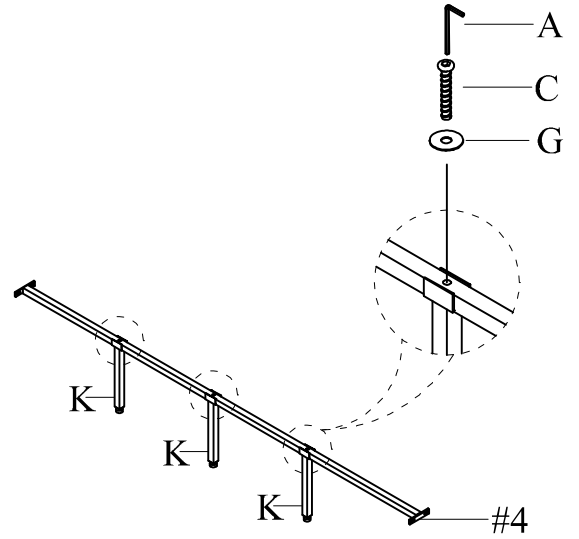
STEP:3



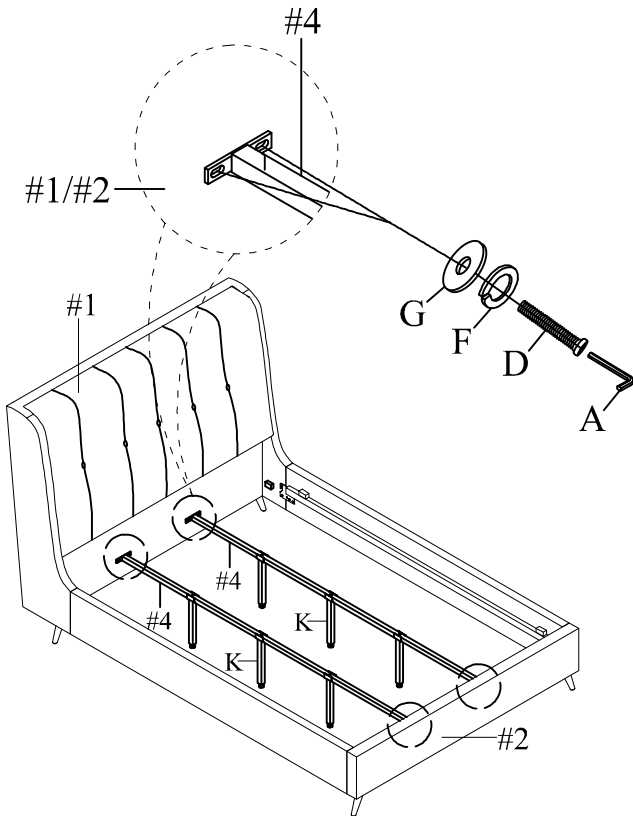
STEP:4



STEP:5



STEP:6



STEP:7

