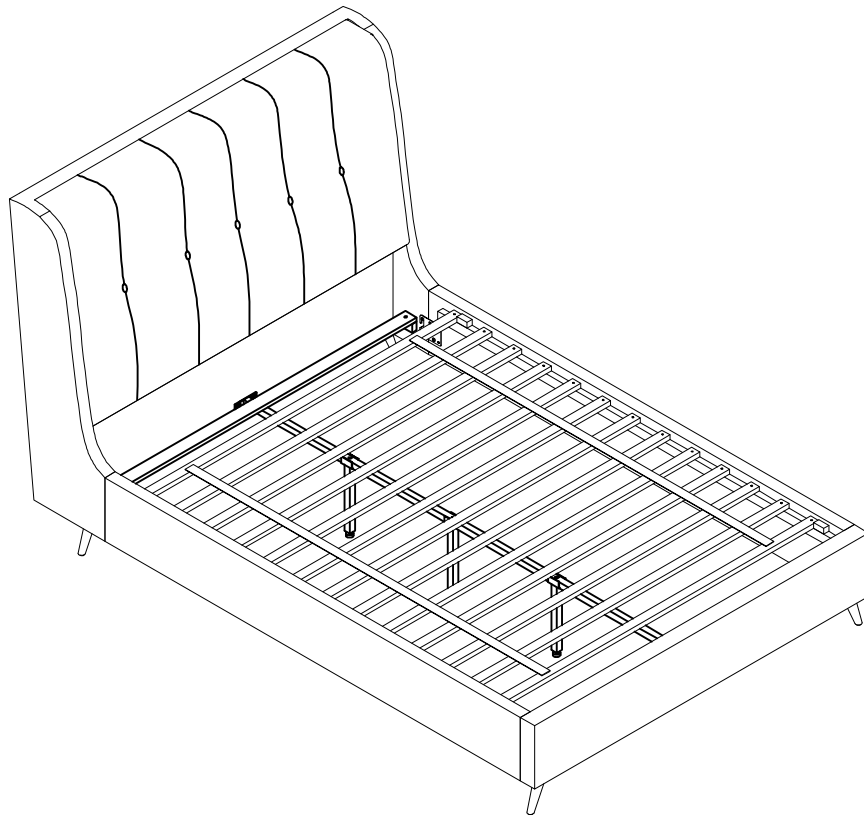



















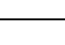
ASSEMBLY INSTRUCTION

Item No: Y9296 F EMBRACE

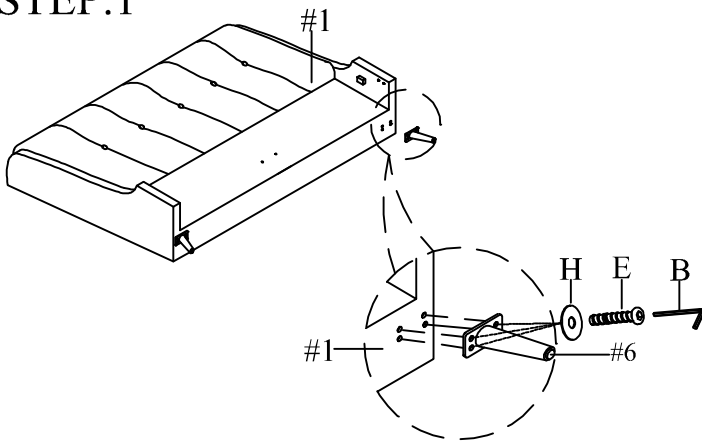


Do not tighten bolts until completely assembled.

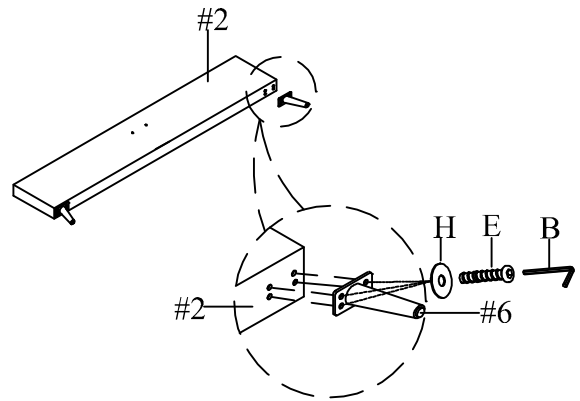
PARTS IDENTIFICATION			
NO	Part	Sketch	Quantity
#1		Headboard	1PC
#2		Footboard	1PC
#3		Side Rail	2PCS
#4		Center Bar	1PC
#5		Slats For Daybed	1PC
#6		LEG	4PCS

HARDWARE LIST			
NO	Shape	Specification	Quantity
A		Allen Wrench 5mm	1PC
B		Allen Wrench 4mm	1PC
C		Bolt 5/16"x2"	7PCS
D		Bolt 5/16"x1-1/4"	12PCS
E		Bolt 1/4"x1"	16PCS
F		Lock Washer 5/16"	12PCS
G		Flat Washer 5/16"x22MM	19PCS
H		Flat Washer 1/4"x16MM	16PCS
I		Screw M8*1-1/4"	28PCS
J		Screw M10*1-1/2"	8PCS
K		Supporting foot	3PCS
L		CONNECTION STRAP	2PCS

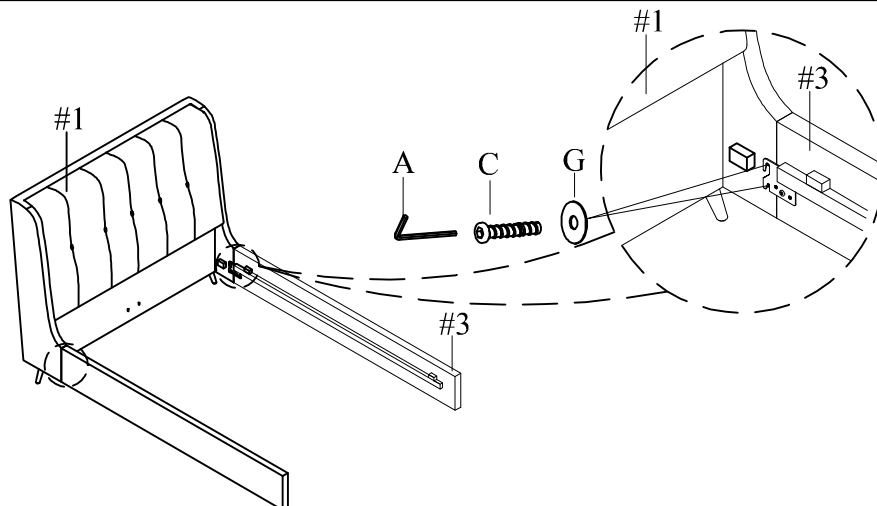
STEP:1



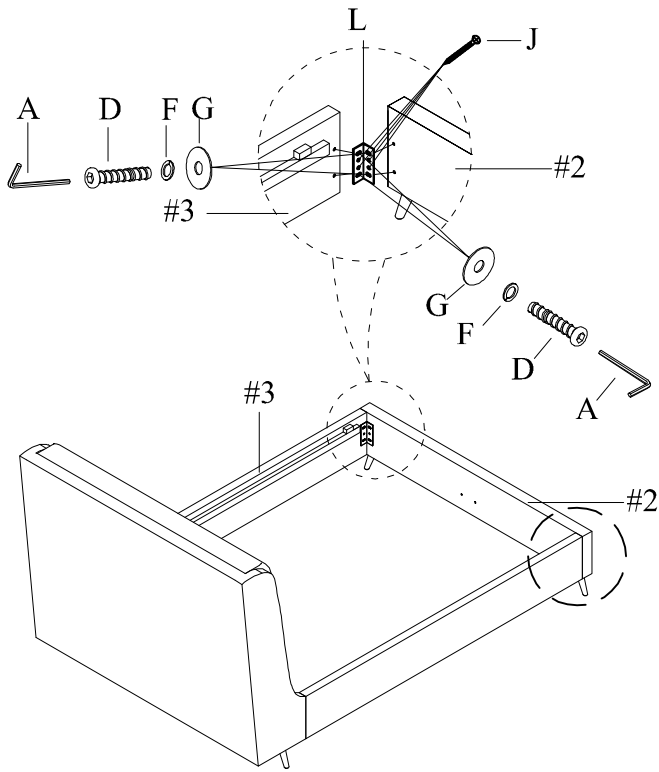
STEP:2



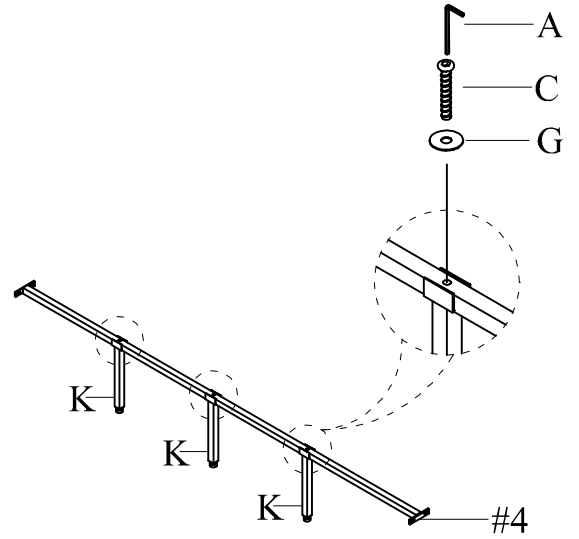
STEP:3



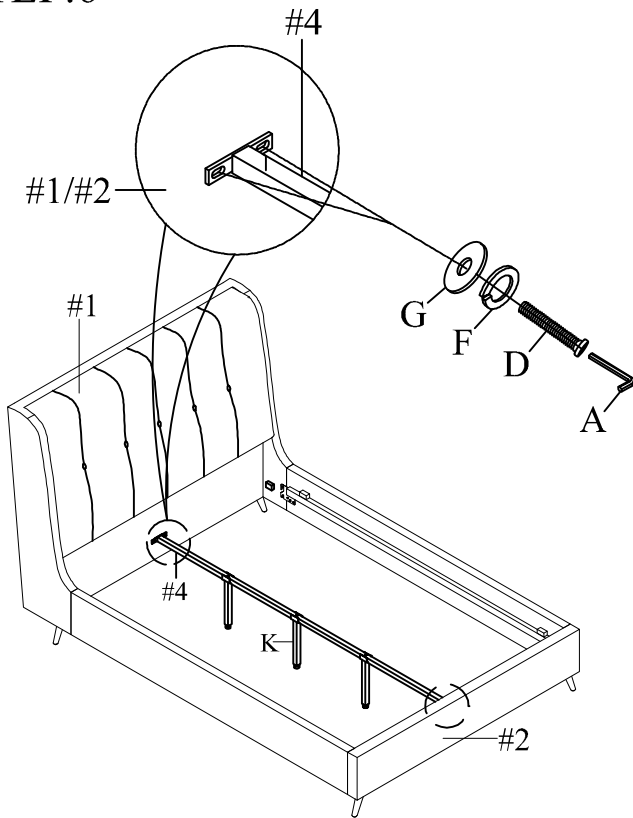
STEP:4



STEP:5



STEP:6



STEP:7

