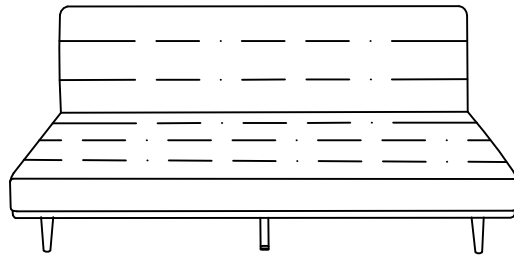


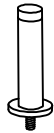
ASSEMBLY INSTRUCTION (ASH5003 BRADLEY)



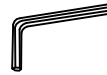
A*4



B*12



C*1

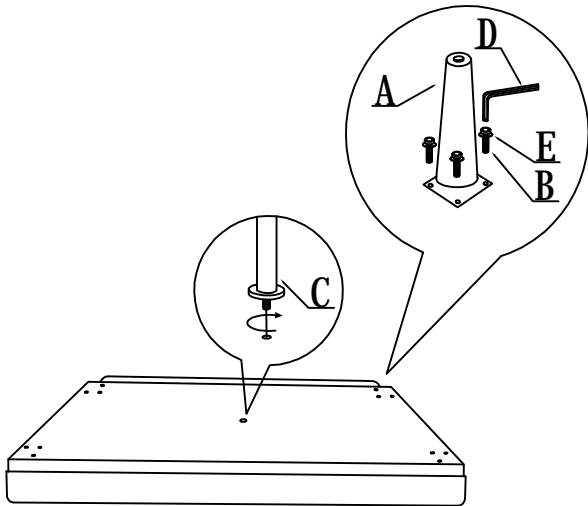


D*1

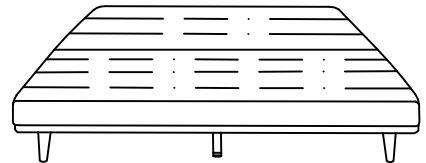
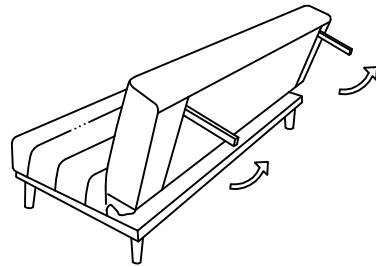


E*12

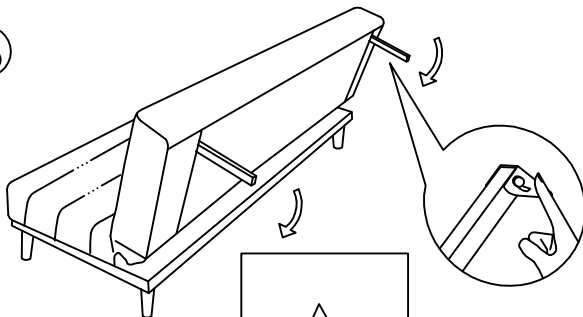
①



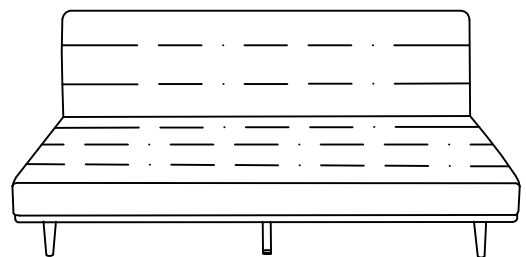
②



③



④



Please button off to close legs