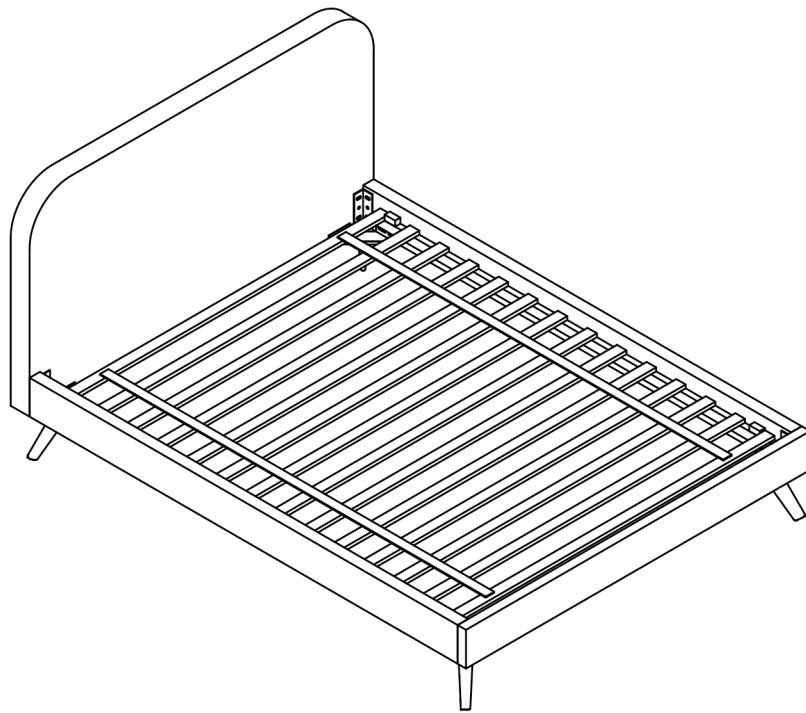









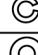




ASSEMBLY INSTRUCTION

Item No: ASH3062 SD ALICE

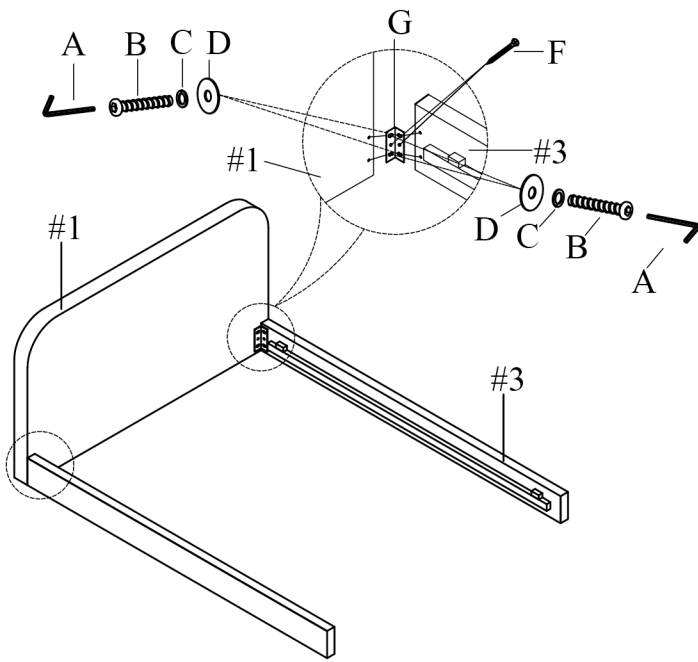


Do not tighten bolts until completely assembled.

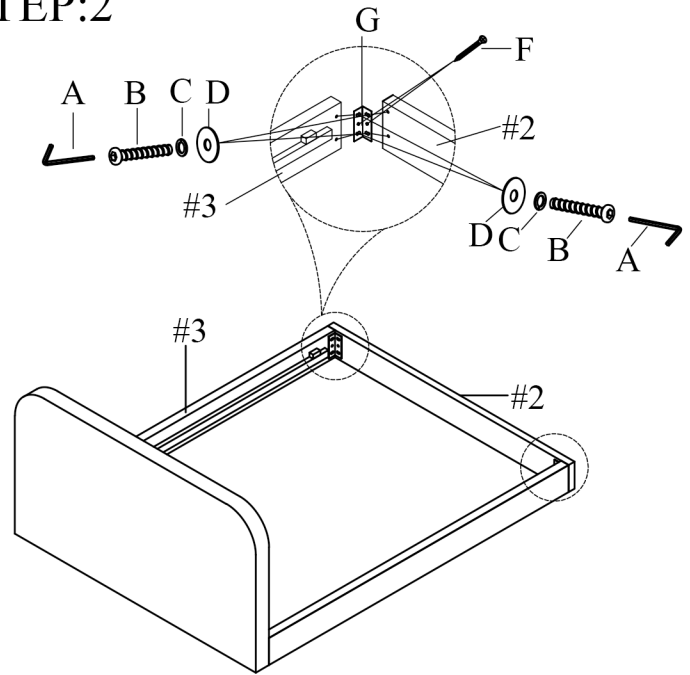
PARTS IDENTIFICATION			
NO	Part	Sketch	Quantity
#1		Headboard	1PC
#2		Footboard	1PC
#3		Side Rail	2PCS
#4		Slats For Daybed	1PC
#5		LEG 160mm	4PCS

HARDWARE LIST			
NO	Shape	Specification	Quantity
A		Allen Wrench 5mm	1PC
B		Bolt 5/16"x1-1/4"	32PCS
C		Lock Washer 5/16"	32PCS
D		Flat Washer 5/16"x22MM	32PCS
E		Screw M8*1-1/4"	30PCS
F		Screw M10*1-1/2"	8PCS
G		CONNECTION STRAP 130mm	4PCS

STEP:1



STEP:2



STEP:3

