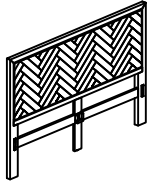
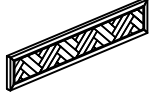


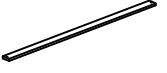


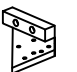

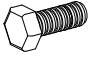
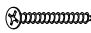
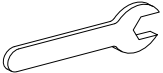
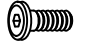
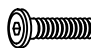





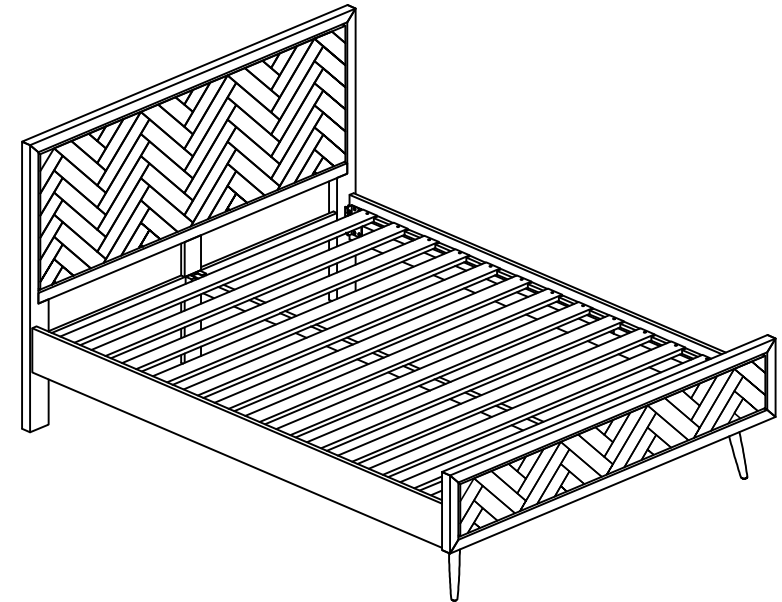
# ASSEMBLY INSTRUCTION MALMO - 5' BED

## PARTS LIST

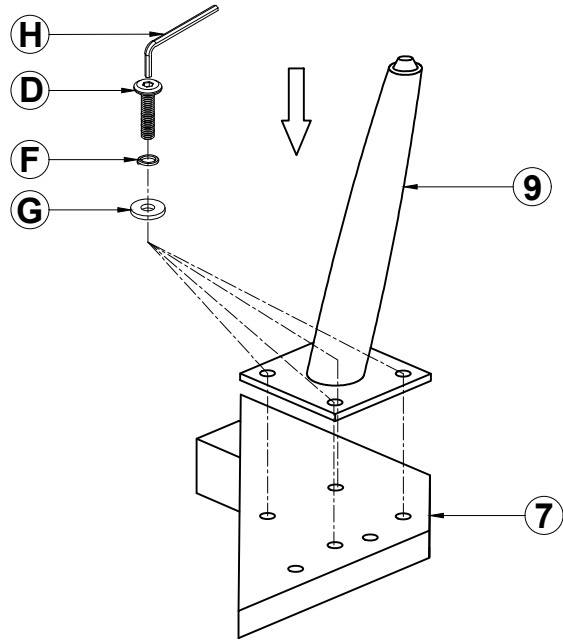
NO	DRAWING	DESCRIPTION	QTY
①		HEAD BOARD	1
②		FOOT BOARD	1
③		LEFT SIDE RAIL	1
④		RIGHT SIDE RAIL	1
⑤		SLAT FRAME	13
⑥		MIDDLE RAIL	1
⑦		LEFT CORNER BLOCK	1
⑧		RIGHT CORNER BLOCK	1
⑨		LEGS	2

## HARDWARE LIST

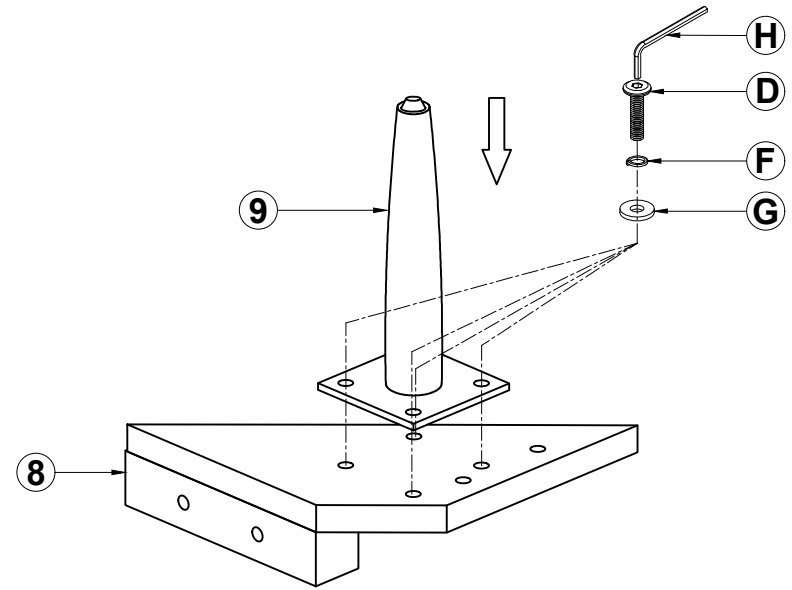
NO	DRAWING	DESCRIPTION	QTY
Ⓐ		BOLT (M8 x 30mm)	8
Ⓑ		SCREWS (M4 x 30mm)	26
Ⓒ		SPANNER (M12)	1
Ⓓ		BOLT (M6 x 20mm)	8
Ⓔ		BOLT (M6 x 40mm)	8
Ⓕ		SPRING WASHER (Ø6)	16
Ⓖ		FLAT WASHER (Ø6x16mm)	16
Ⓗ		ALLEN KEY (40x60mm)	1



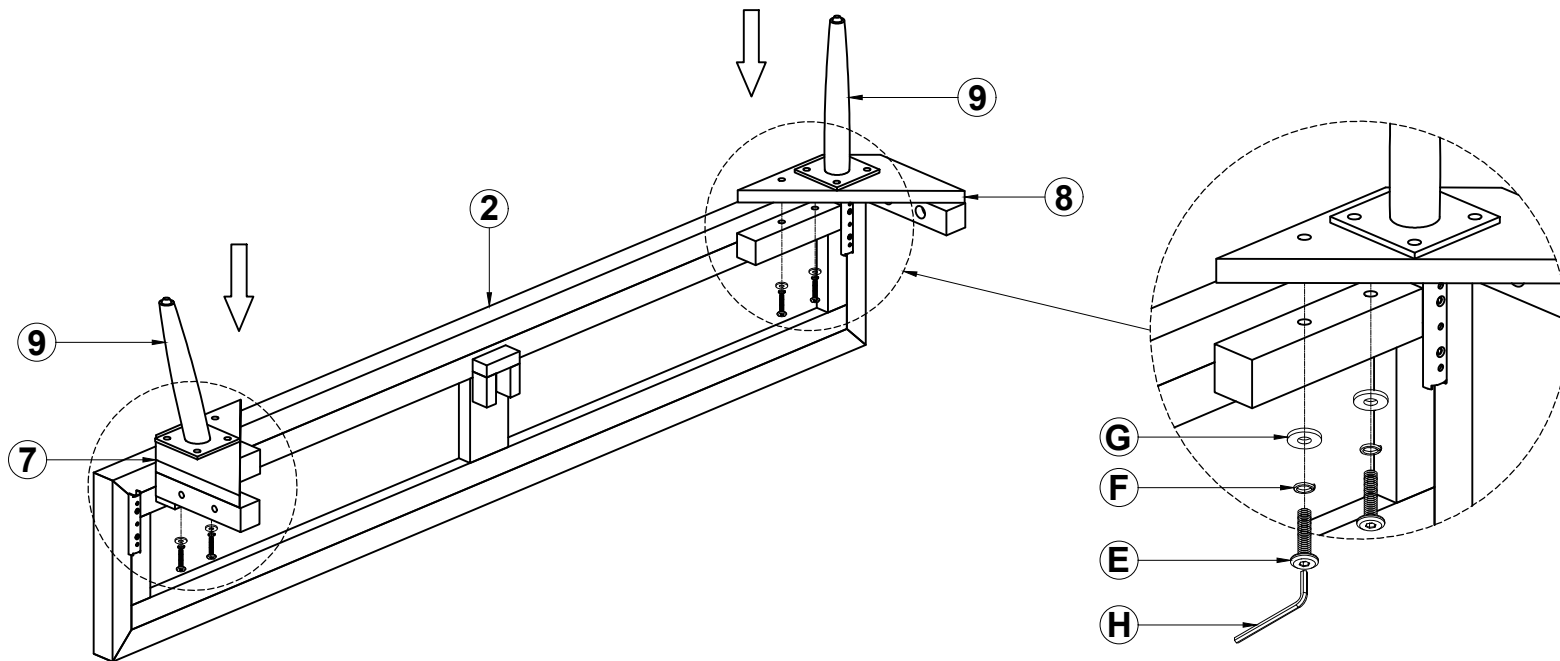
### STEP 1



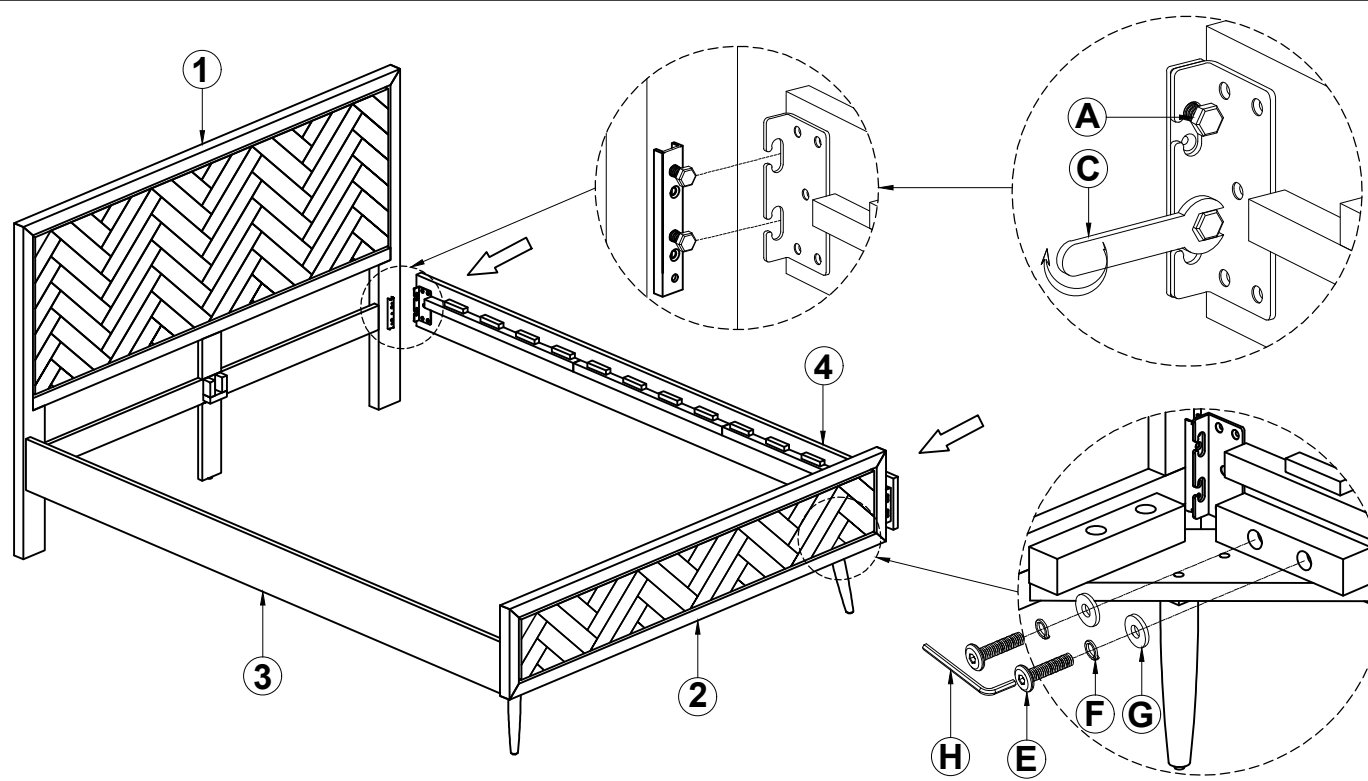
### STEP 2



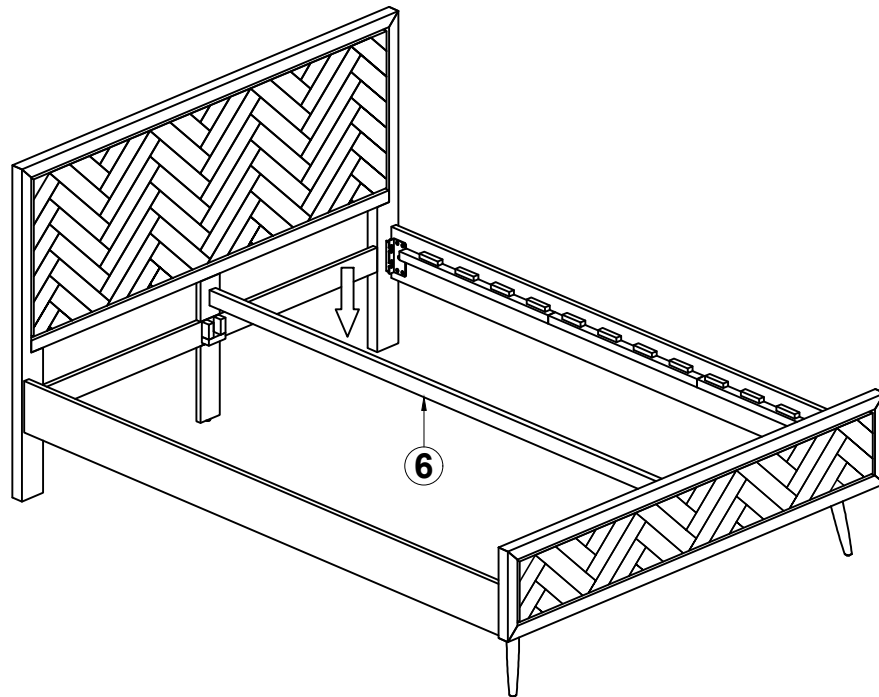
### STEP 3



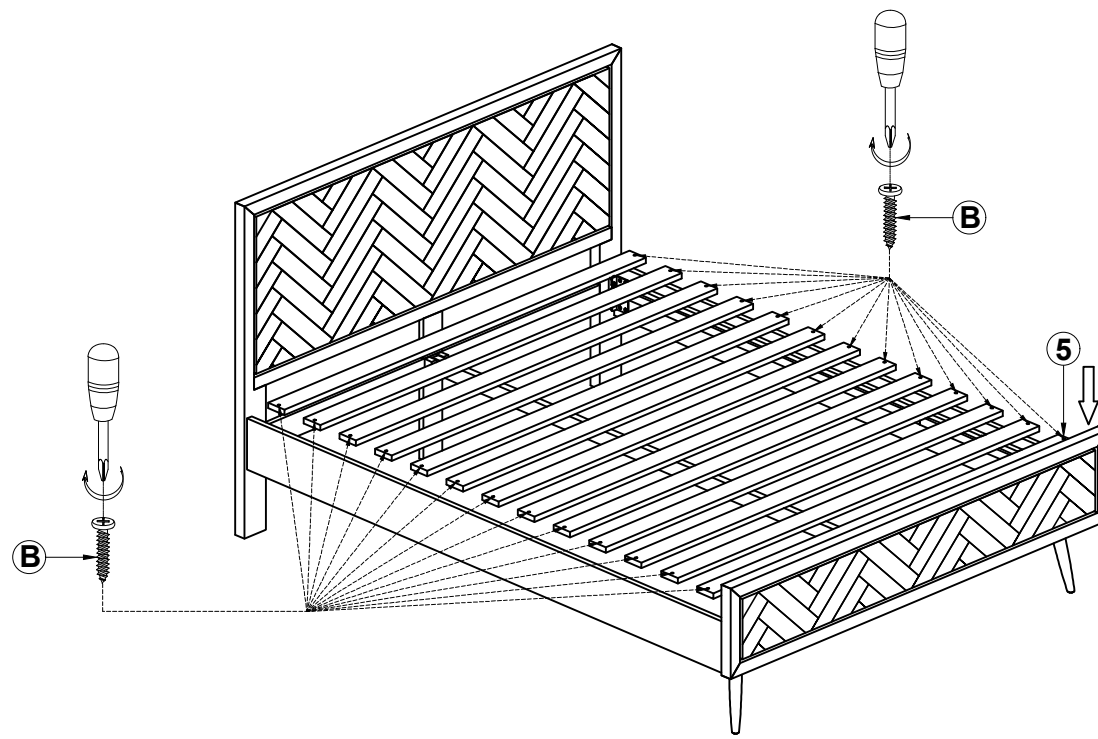
# STEP 4



# STEP 5



# STEP 6



# STEP 7

