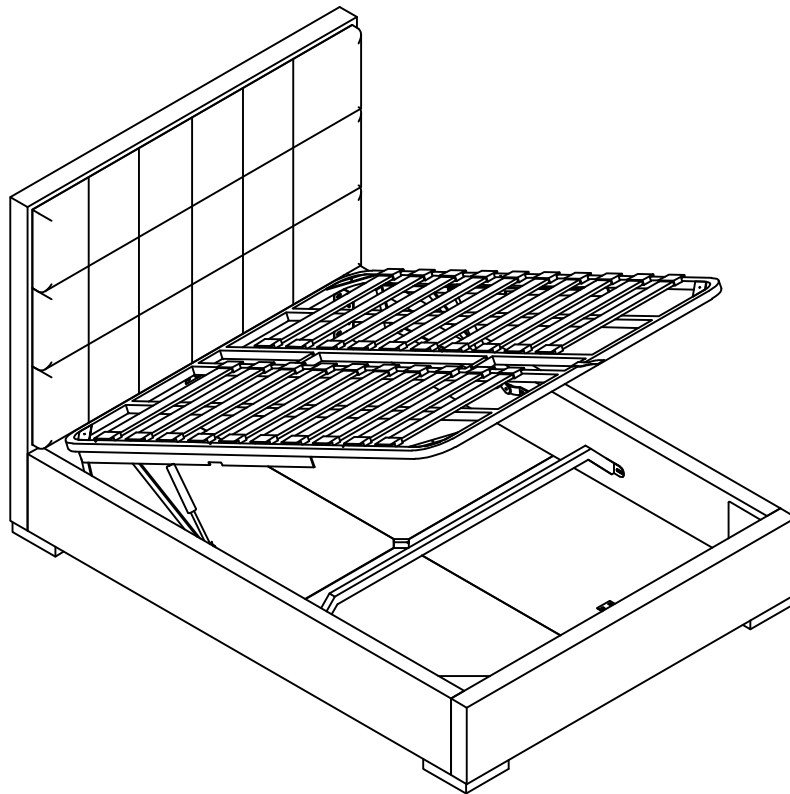
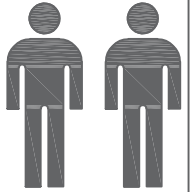


ASSEMBLY INSTRUCTION

Item No:ASH3051 F OTTOMAN

2 PERSON ASSEMBLY



DO not tighten bolts until completely assembled.




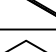
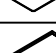




Guidelines

- A. This lift mechanism provides assistance with the lift of the mattress fitted to the base, it does not lift the mattress for you. The system is designed to effectively lift the base system fitted with a variety of mattress weights and depths. The combination of the mattress depth and weight determines the level of assistance provided by the mechanism
- B. Following installation of the mechanism lift-pull the base up and down a few times to free off the system. The gas cylinders fitted to the system may be stiff when first used or if the system has not been operated for a period of time. The mattress must be fitted to the base.
- C. Use the strap handle to lift up the mattress base using two hands. Pull the mattress base down using two hands equally spaced from the center of the mattress base. **DO NOT** pull down on one side of the base as this is likely to damage the base system with potential failure of the mattress base system and lift mechanism. **DO NOT operate the lift up mechanism without the mattress fitted to the base.**















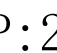

Caution

- DO NOT allow children to operate the lift mechanism
- DO NOT allow children near the lift base when operating the mechanism
- DO NOT allow children in the area of the internal storage base
- DO NOT Leave children unsupervised with the furniture
- DO NOT stand inside the bed or on the internal storage base
- DO NOT overload the internal storage base
- DO NOT use the storage compartment until the frame is fully raised
- DO NOT remain on the bed whilst the lifting mechanism is in use
- DO NOT use this product if parts are missing, damaged, or worn
- DO use two arm's length when operating this product
- DO keep hands and feet clear of the mechanism when operating the base system

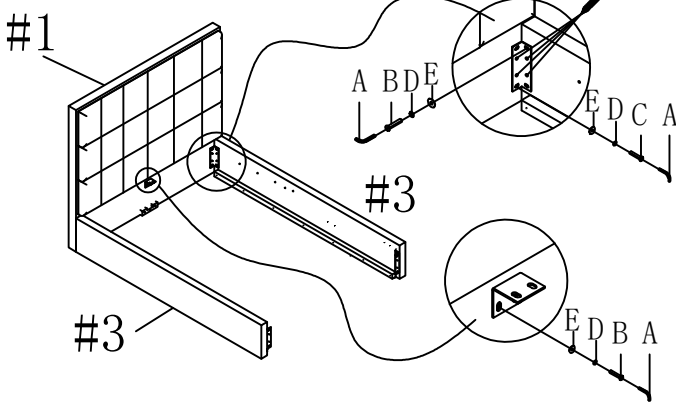
PARTS IDENTIFICATION

NO	Part	sketch	Quantity
#1		Headboard	1PC
#2		Footboard	1PC
#3		Side Rail	2PCS
#4		Center Bar 1940mm	1PC
#5		Layer board (970*688*12)	4PCS
#6		Iron Square pipe 1385mm	1PC
#7		Ribs	1PC
#8		Leg 45mm	4PCS
#9		Supporting foot 65mm	2PCS

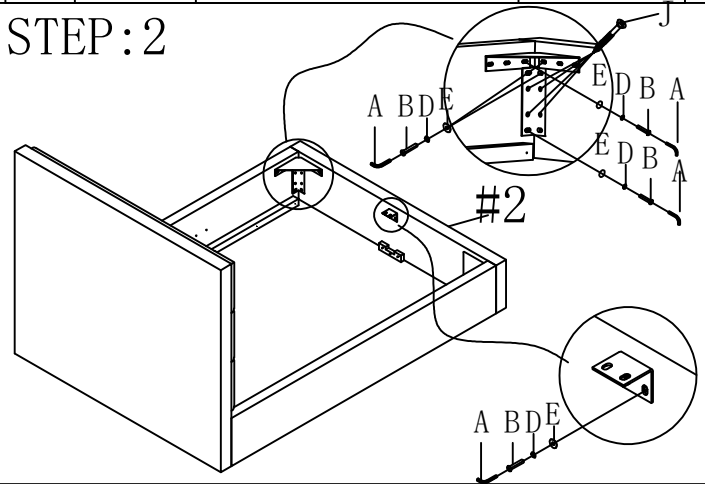
HARDWARE LIST

NO	Shape	Specification	Quantity
A		Allen Wrench 5mm	1PC
B		Bolt 5/16"*1-1/4"	38PCS
C		Bolt 5/16 " *2 "	12PCS
D		Lock washer 5/16 "	50PCS
E		Flat Washer $\frac{5}{16}$ "*22mm	50PCS
F		Connection Strap	4PCS
G		Triangle code	2PCS
H		Small Corner Code	2PCS
J		Screw M8*1-1/4"	16PCS
K		I Lifting rod for bed 150CM	2PCS
L		Lifting connecting rod 1200N	2PCS
M		Bolt	4PCS
N		Nut M8	8PCS
O		Screw m8*2 "	16PCS
P		Screw m8*1-1/4 "	2PCS
Q		Spanner	1PC

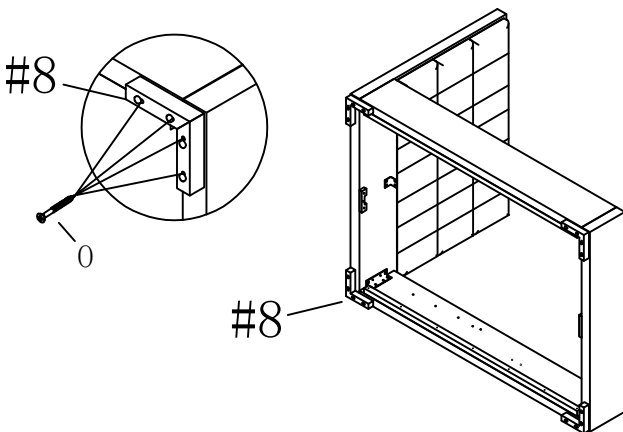
STEP : 1



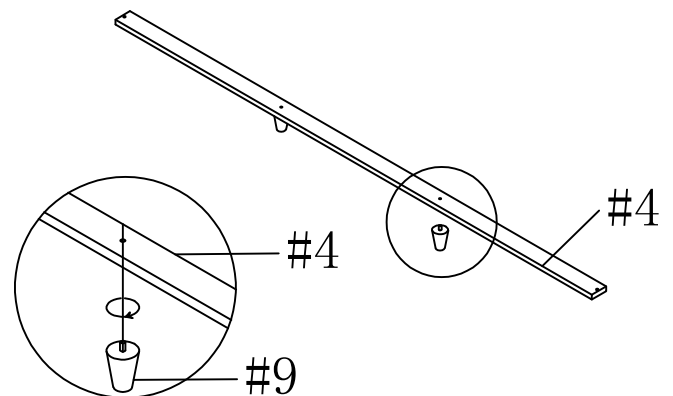
STEP : 2



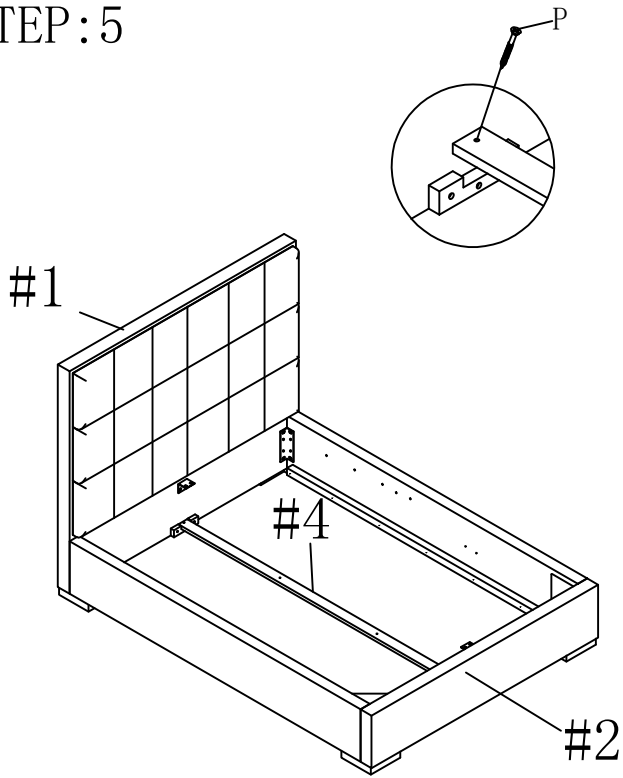
STEP : 3



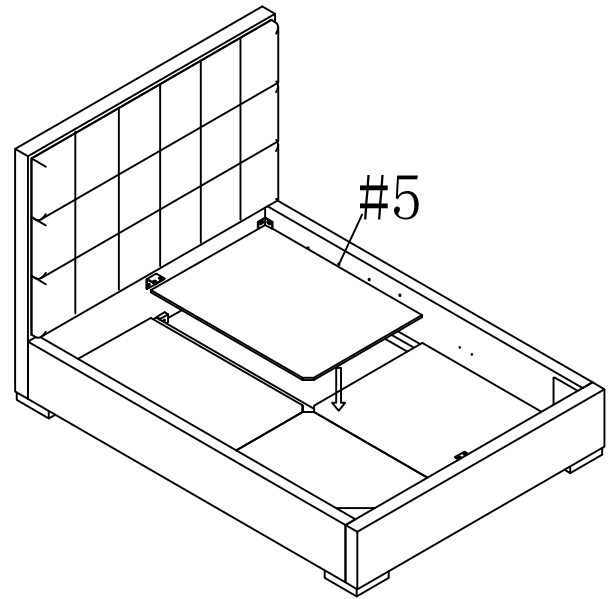
STEP : 4



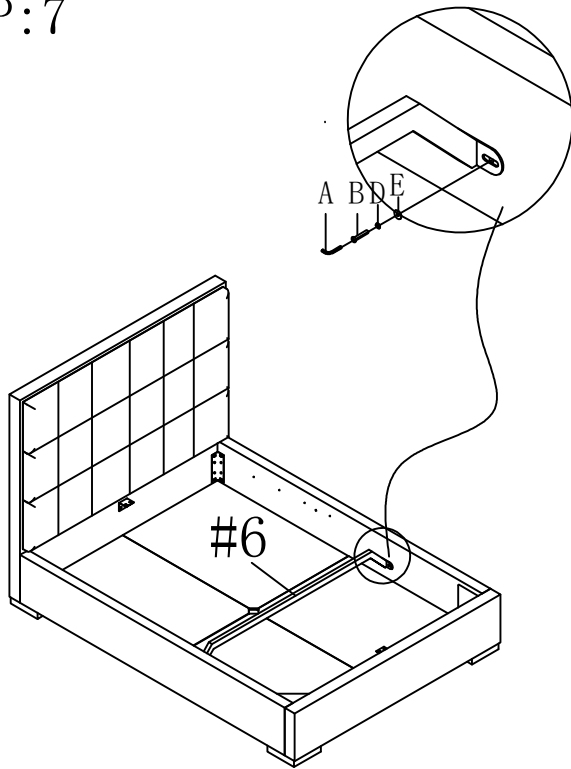
STEP:5



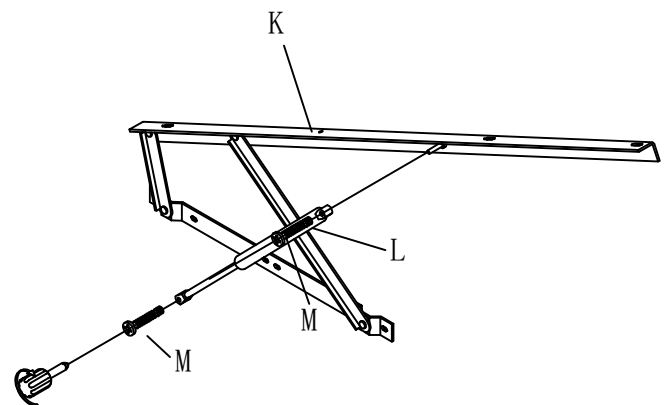
STEP:6



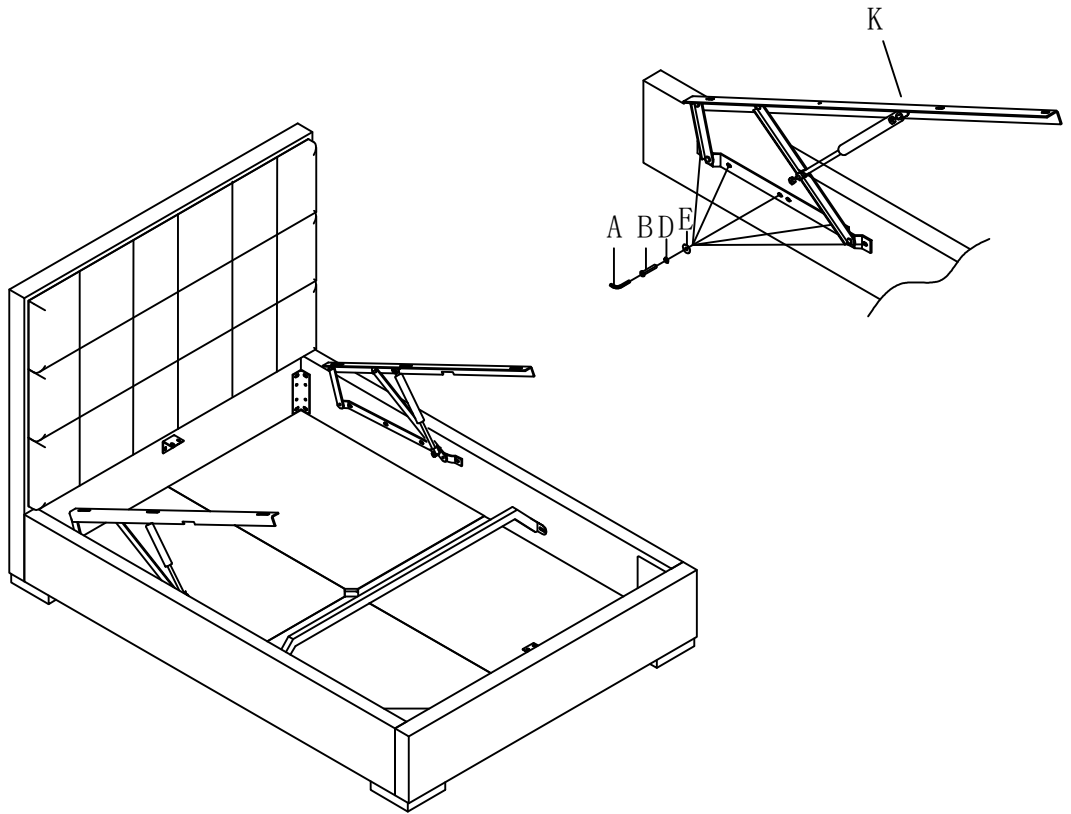
STEP:7



STEP:8



STEP:9



STEP:10

